

W510CIN



FLAT STAINLESS STEEL FIXED LEVER WITH INCLINED HANDLE



Materials:

Stainless steel (Aisi 303).

Surface finish:

Turned with low roughness.

Colour:

Natural.

Handgrip:

Ball knob I104 in reinforced PA6 in black (Ral 9011) [see page].

Handgrip fixing method:

Push-fit, removable.

Hole:

Blind smooth bore machined from solid metal (bore tolerance H10).

Central Cap:

Black polyamide (RAL 9001 code 01).

Fixing method:

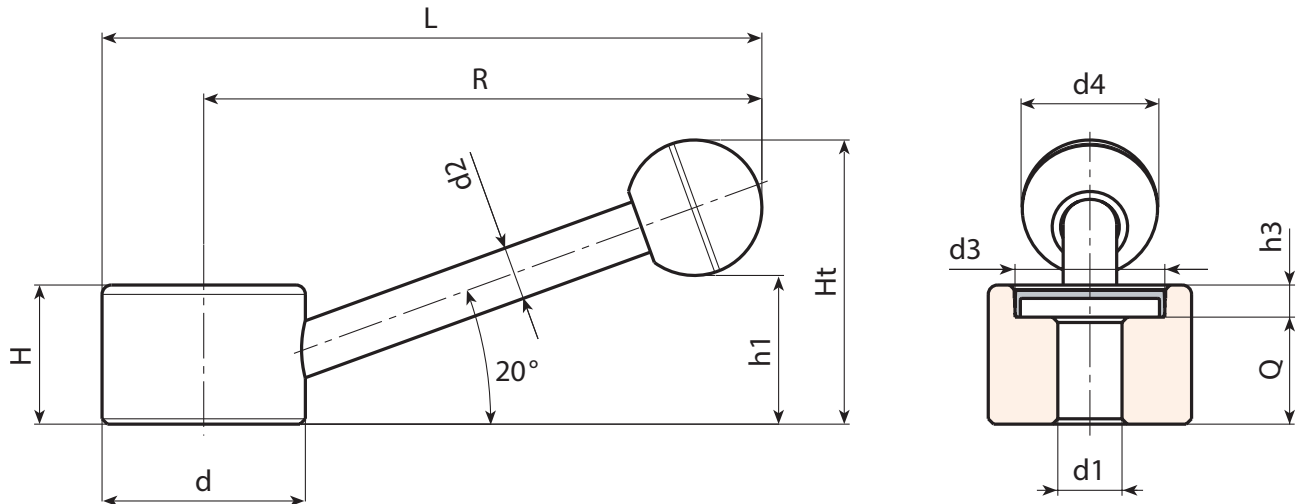
For fixing systems, or execution of keyways or square holes, please refer to the technical notes attached to the catalogue.

Special requests:

- Upon request and for special quantities levers can be supplied with custom hole diameter d1.
- Upon request and for special quantities handgrip available in the colours indicated in the chart [page 959].



01



Code	Art.	d	R	L	H	Ht	h1	h3	d2	d3	d4	d1H10	Q	
W510082.0004	W510082.ID1001CIN	30	82	97	22	43	23	6	8	22	20	10	16	118
W510104.0002	W510104.ID1001CIN	38	104	123	26	53	28	6	10	28	25	10	20	235
W510128.0002	W510128.ID1401CIN	48	128	152	30	66	33	6	12	34	35	14	24	434

Attention: For a minimum of 50 pieces the diameter d1 can be customised (hole tolerance H10 galvanised and H7 black-oxide treated).

