

W510

FLAT METAL FIXED LEVER WITH INCLINED HANDLE



Materials:

Steel with strength class 5.8.

Surface finish:

Turned with low roughness.

Colour:

Nickel plated (galvanic treatment).

Alternative finishes:

Black-oxide treatment:
(replace the final letter of the code (H) with letter B (W510082.SD0801B).

Galvanising:
(replace the final letter of the code (H) with letter Z (W510082.SD0801Z).

Handgrip:

Ball knob I104 in reinforced PA6 in black (Ral 9011) [see page].

Handgrip fixing method:

Push-fit, removable.

Hole:

Blind smooth bore machined from solid metal (bore tolerance H10).

Central Cap:

Grey polyamide (RAL 7035). 13).

Alternative cap colours:

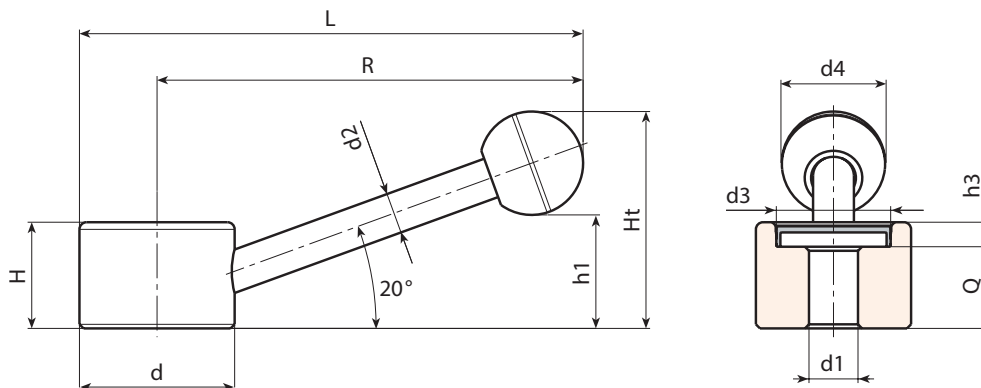
Levers with black oxide treated finish will be supplied with central cap in grey (RAL 7035 code 13).

Fixing method:

For fixing systems, or execution of keyways or square holes, please refer to the technical notes attached to the catalogue.

Special requests:

- Upon request and for special quantities levers can be supplied with custom hole diameter d1.
- Upon request and for special quantities handgrip available in the colours indicated in the chart [page].



Code	Art.	d	R	L	H	Ht	h1	h3	d2	d3	d4	d1H10	Q	g
W510082.0005	W510082.SD1001H	30	82	97	22	43	23	6	8	22	20	10	16	118
W510104.0003	W510104.SD1001H	38	104	123	26	53	28	6	10	28	25	10	20	235
W510104.0004	W510104.SD1201H	38	104	123	26	53	28	6	10	28	25	12	20	230
W510128.0004	W510128.SD1401H	48	128	152	30	66	33	6	12	34	35	14	24	434
W510128.0005	W510128.SD1601H	48	128	152	30	66	33	6	12	34	35	16	24	427

Attention: For a minimum of 50 pieces the diameter d1 can be customised (hole tolerance H10).