

W503



METAL FIXED LEVER WITH HORIZONTAL HANDLE AND SMOOTH HOLE

Materials:

W503:

Steel with strength class 5.8.

W503CIN:

Stainless steel (Aisi 303).

Surface finish:

Turned with low roughness.

Colour:

W503:

Nickel plated (galvanic treatment).

W503CIN:

Natural.

Alternative finishes:

Black-oxide treatment:

(replace the final letter of the code (H) with letter B (W503070.SM0801B).

Galvanising:

(replace the final letter of the code (H) with letter Z (W503070.SM0801Z).

Handgrip:

Conical knob I500 in reinforced PA6 in black (Ral 9011) [see page].

Handgrip fixing method:

Push-fit, removable.

Hole:

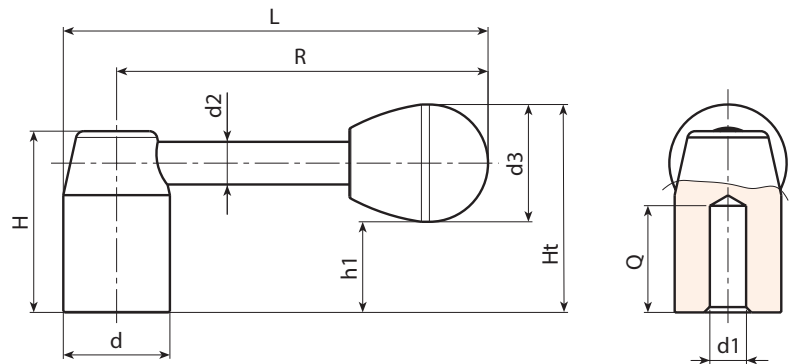
Blind smooth bore machined from solid metal (bore tolerance H10).

Fixing method:

For fixing systems, or execution of keyways or square holes, please refer to the technical notes attached to the catalogue.

Special requests:

- Upon request and for special quantities levers can be supplied with custom hole diameter d1.
- Upon request and for special quantities handgrip available in the colours indicated in the chart [page 959].



Version W503 - nickel-plated steel

Code	art.	d	R	L	H	Ht	h1	d2	d3	d1H10	Q	g
W503070.0002	W503070.SD0801H	20	70	80	34	39	17	8	22	8	16	84
W503080.0002	W503080.SD1001H	22	80	91	38	43	21	8	22	10	18	109
W503095.0002	W503095.SD1201H	24	95	107	42	49	21	10	28	12	20	158
W503110.0002	W503110.SD1201H	28	110	124	48	54	26	12	28	12	22	278
W503125.0002	W503125.SD1601H	32	125	141	52	59	27	12	32	16	25	337
W503140.0002	W503140.SD1601H	36	140	158	58	64	32	14	32	16	26	500
W503150.0002	W503150.SD2001H	40	150	170	64	71	34	16	37	20	28	670
W503170.0001	W503170.SD2001H	45	170	192.5	70	77	40	16	37	20	30	870

Version W503CIN - stainless steel (Aisi 303)

Code	art.	d	R	L	H	Ht	h1	d2	d3	d1H10	Q	g
W503070.0001	W503070.ID0801CIN	20	70	80	34	39	17	8	22	8	16	84
W503080.0001	W503080.ID1001CIN	22	80	91	38	43	21	8	22	10	18	109
W503095.0001	W503095.ID1201CIN	24	95	107	42	49	21	10	28	12	20	158
W503110.0001	W503110.ID1201CIN	28	110	124	48	54	26	12	28	12	25	278
W503125.0001	W503125.ID1601CIN	32	125	141	52	59	27	12	32	16	22	337
W503140.0001	W503140.ID1601CIN	36	140	158	58	64	32	14	32	16	23	500
W503150.0001	W503150.ID2001CIN	40	150	170	64	71	34	16	37	20	25	670

