

W502



METAL FIXED LEVER WITH INCLINED HANDLE AND SMOOTH BORE

Materials:

W502:

Steel with strength class 5.8.

W502CIN:

Stainless steel (Aisi 303).

Surface finish:

Turned with low roughness.

Colour:

W502:

Nickel plated (galvanic treatment).

W502CIN:

Natural.

Alternative finishes:

Black-oxide treatment:

(replace the final letter of the code (H) with letter B (W502070.SM0801B).

Galvanising:

(replace the final letter of the code (H) with letter Z (W502070.SM0801Z).

Handgrip:

Conical knob I500 in reinforced PA6 in black (Ral 9011) [see page].

Handgrip fixing method:

Push-fit, removable.

Hole:

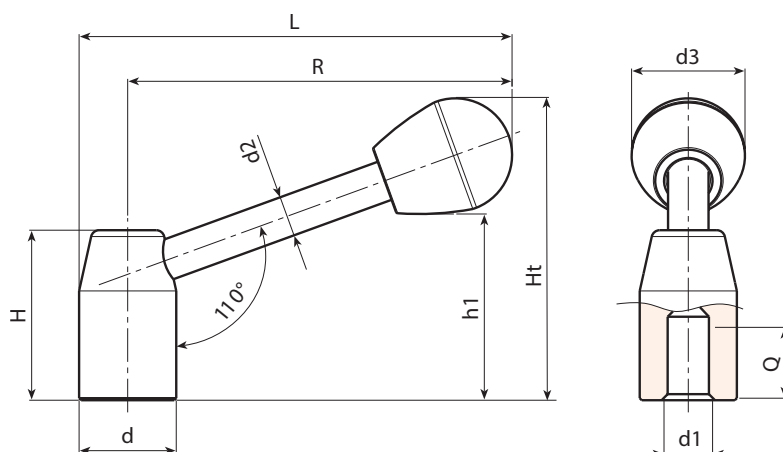
Blind smooth bore machined from solid metal (bore tolerance H10).

Fixing method:

For fixing systems, or execution of keyways or square holes, please refer to the technical notes attached to the catalogue.

Special requests:

- Upon request and for special quantities levers can be supplied with custom hole diameter d1.
- Upon request and for special quantities handgrip available in the colours indicated in the chart [page 959].



Version W502 - nickel-plated steel

Code	art.	d	R	L	H	Ht	h1	d2	d3	d1H10	Q	
W502070.0001	W502070.SD0801H	20	67	77	34	57	34	8	22	8	16	84
W502080.0002	W502080.SD1001H	22	76	87	38	63	40	8	22	10	18	109
W502095.0001	W502095.SD1201H	24	91	102.5	42	73	45	10	28	12	20	158
W502110.0001	W502110.SD1201H	28	105	119	48	82	54	12	28	12	22	278
W502125.0001	W502125.SD1601H	32	120	135.5	52	92	59	12	32	16	25	337
W502140.0001	W502140.SD1601H	36	135	152	58	101	68	14	32	16	26	500
W502150.0001	W502150.SD2001H	40	144	164	64	110	72	16	37	20	28	670
W502170.0002	W502170.SD2001H	45	162	184	70	121	83	16	37	20	30	870

Version W502 CIN - stainless steel (Aisi 303)



Code	art.	d	R	L	H	Ht	h1	d2	d3	d1H10	Q	
W502070.0003	W502070.ID0801CIN	20	67	77	34	57	34	8	22	8	16	84
W502080.0001	W502080.ID1001CIN	22	76	87	38	63	40	8	22	10	18	109
W502095.0004	W502095.ID1201CIN	24	91	102	42	73	45	10	28	12	20	158
W502110.0003	W502110.ID1201CIN	28	105	119	48	82	54	12	28	12	22	278
W502125.0002	W502125.ID1601CIN	32	120	135	52	92	59	12	32	16	25	337
W502140.0002	W502140.ID1601CIN	36	135	152	58	101	68	14	32	16	26	500
W502150.0002	W502150.ID2001CIN	40	144	164	64	110	72	16	37	20	28	670
W502170.0004	W502170.ID2001CIN	45	162	184	70	121	83	16	37	20	30	870