

# W500



## FIXED METAL LEVER WITH INCLINED HANDLE AND THREADED HOLE

### Materials:

#### W500:

Steel with strength class 5.8.

#### W500CIN:

Stainless steel (Aisi 303).

### Surface finish:

Turned with low roughness.

### Colour:

#### W500:

Nickel plated (galvanic treatment).

#### W500 CIN:

Natural.

### Alternative finishes:

#### Black-oxide treatment:

(replace the final letter of the code (H) with letter B (W500070.SM0801B).

#### Galvanising:

(replace the final letter of the code (H) with letter Z (W500070.SM0801Z).

### Handgrip:

Conical knob I500 in reinforced PA6 in black (Ral 9011) [see page ].

### Handgrip fixing method:

Push-fit, removable.

### Hole:

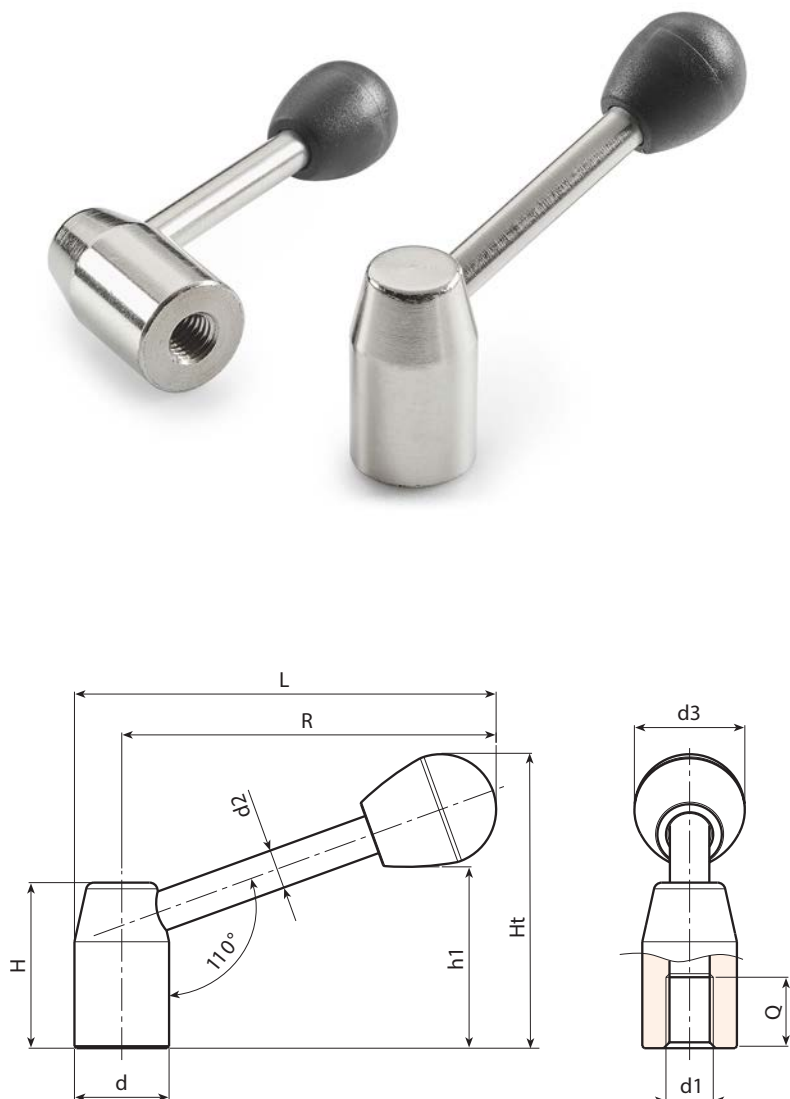
Female threaded hole machined from solid metal (thread tolerance 6H).

### Fixing method:

For fixing systems, or execution of keyways or square holes, please refer to the technical notes attached to the catalogue.

### Special requests:

- Upon request and for special quantities levers can be supplied with custom hole diameter d1.
- Upon request and for special quantities handgrip available in the colours indicated in the chart [page ].



### Version W500 - nickel-plated steel

Code	art.	d	R	L	H	Ht	h1	d2	d3	d16H	Q	g
W500070.0003	W500070.SM0801H	20	67	77	34	57	34	8	22	M8	15	89
W500080.0002	W500080.SM1001H	22	76	87	38	63	40	8	22	M10	15	111
W500095.0002	W500095.SM1201H	24	91	102	42	73	45	10	28	M12	18	160
W500110.0001	W500110.SM1201H	28	105	119	48	82	54	12	28	M12	18	280
W500125.0002	W500125.SM1601H	32	120	135	52	92	59	12	32	M16	22	340
W500140.0001	W500140.SM1601H	36	135	152	58	101	68	14	32	M16	23	513
W500150.0001	W500150.SM2001H	40	144	164	64	110	72	16	37	M20	25	687
W500170.0001	W500170.SM2001H	45	162	184	70	121	83	16	37	M20	28	890

### Version W500 CIN - stainless steel (Aisi 303)



Code	art.	d	R	L	H	Ht	h1	d2	d3	d16H	Q	g
W500070.0001	W500070.IM0801CIN	20	67	77	34	57	34	8	22	M8	15	89
W500080.0001	W500080.IM1001CIN	22	76	87	38	63	40	8	22	M10	15	111
W500095.0001	W500095.IM1201CIN	24	91	102	42	73	45	10	28	M12	18	160
W500110.0002	W500110.IM1201CIN	28	105	119	48	82	54	12	28	M12	18	280
W500125.0001	W500125.IM1601CIN	32	120	135	52	92	59	12	32	M16	22	340
W500140.0003	W500140.IM1601CIN	36	135	152	58	101	68	14	32	M16	23	513
W500150.0002	W500150.IM2001CIN	40	144	164	64	110	72	16	37	M20	25	687
W500170.0002	W500170.IM2001CIN	45	162	184	70	121	83	16	37	M20	28	890

