

W460HIN NEW



Aisi
304

Aisi
303



STAINLESS STEEL KNURLED KNOB WITH THREADED STUD

INOX

Materials:

Knob:

Precision-cast stainless steel, (Aisi 304).

Stud:

Stainless steel (Aisi 303).

Surface finish:

Knob:

Electropolished satin finish.

Stud:

Smooth.

Colour:

Natural.

Inserts:

Turned threaded stud (thread tolerance 6g).

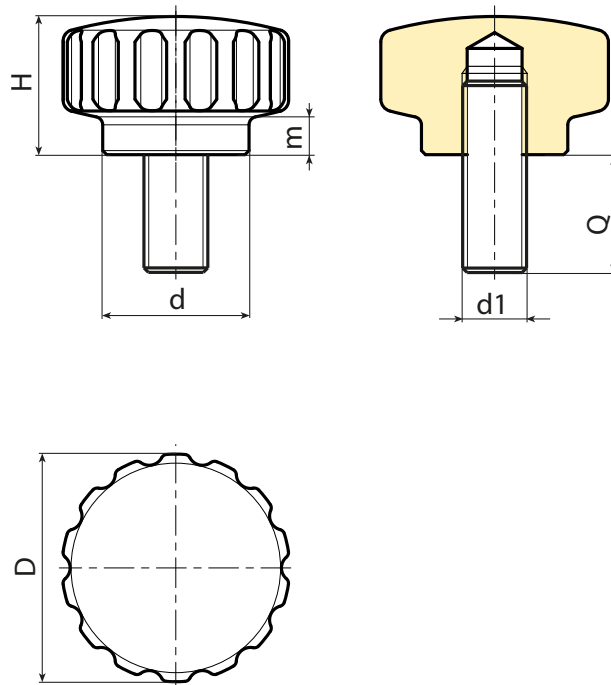
ATTENTION: The stud is fixed with glue.

Special requests:

- Upon request and for a minimum of 50 pieces inserts can be supplied with customised lengths.



H



INOX

Code	Art.	D	H	d	m	d _{16H}	Q	g
-	H18015.BM0501	20	13	14	4,5	M5	20	3
-	H18015.BM0501	24	15	16	4,5	M6	20	3
-	H18015.BM0501	28	17	18	4,5	M8	30	3

Customised stud length available for a minimum of 50 pieces.