

# W459HIN

NEW

+200°  
-40°

Aisi  
304

RoHS  
COMPLIANT

## STAINLESS STEEL KNURLED KNOB WITH THREADED HOLE

INOX

### Materials:

Precision-cast stainless steel, (Aisi 304).

### Surface finish:

Electropolished satin finish.

### Colour:

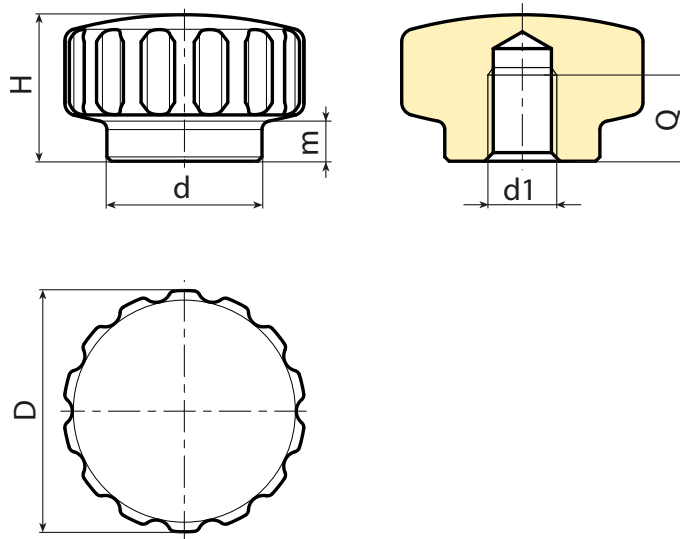
Natural.

### Hole:

Female threaded hole (thread tolerance 6H).

### Special requests:

- None.



INOX

Code	Art.	D	H	d	m	d1 <sub>6H</sub>	Q	g
-	H18015.BM0501	20	13	14	4,5	M5	8	3
-	H18015.BM0501	24	15	16	4,5	M6	9	3
-	H18015.BM0501	28	17	18	4,5	M8	10	3