

W297



AI

PA6
+G.F.

UL94
HB



ALUMINIUM CONTROL HANDWHEEL WITH SMOOTH BORE AND REVOLVING HANDLE

Materials:

Die-cast aluminium.

Surface finish:

Satin finish, except for the sections (T) with low surface roughness obtained by turning.

Colour:

Nickel plated (galvanic treatment).

Alternative colours (min. 50 pieces):

Black epoxy powder coated:
(replace the final letter of the code (H) with letter V (W297100.
AD10V).

Cap:

Central cap in black polyamide (RAL 9011 code 01).

Alternative cap colours:

The central cap for the black handwheel will be grey (RAL 7035 code no. 13).

Lateral handle:

Revolving handle art. M129 [page].

Hole:

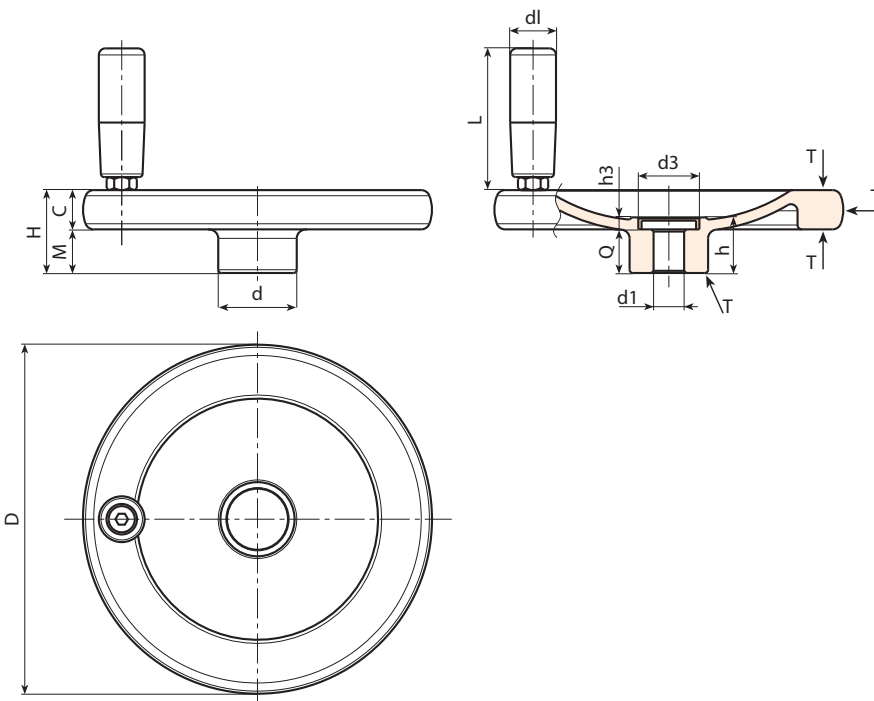
Smooth through hole, remachined with H7 tolerance.

Fixing method:

For fixing systems, or execution of keyways or square holes, please refer to the technical notes attached to the catalogue.

Special Requests:

- Upon request and for special quantities handwheels can be supplied on customer's drawing with hole diameter d1.



Code	Art.	d	D	H	m	c	h	h3	d3	d1H7	Q	dl	L	g
W297080.0001	W297080.AD08H	26	80	26	14	12	21	5.5	20	8	15.5	20	52	185
W297100.0001	W297100.AD10H	28	100	28	14	14	21.5	5.5	20	10	16	20	52	282
W297130.0001	W297130.AD12H	36	130	35	19	16	25.5	5.5	28	12	20	23	62	492
W297160.0001	W297160.AD14H	36	160	38	20	18	25.5	5.5	28	12	20	25	72	778
W297200.0001	W297200.AD16H	42	200	44	24	20	31.5	6	34	16	25.5	25	81	1287

Attention: For a minimum of 50 pieces the diameter d1 can be customised (hole tolerance H7).

