

W270

T-HANDLE WITH STEEL INDEXING PLUNGER



Materials:

(3) Stainless steel spring (Aisi 301).

(4) Reinforced polyamide T-handle. Cannot be disassembled. Resistant to oils and greases.

W270:

(2) Threaded high-resistance steel hexagon ring nut.

(1) Hardened high resistance steel plunger pin.

W270CIN:

(2) Threaded stainless steel hexagon ring nut (Aisi 303).

(1) Stainless steel plunger pin (Aisi 303).

Surface finish:

(4) Satin.

(1-2-3-5) Smooth.

Colour:

(4) Black (RAL 9011).

W270:

(1-2-5) Black-oxide treated.

W270CIN:

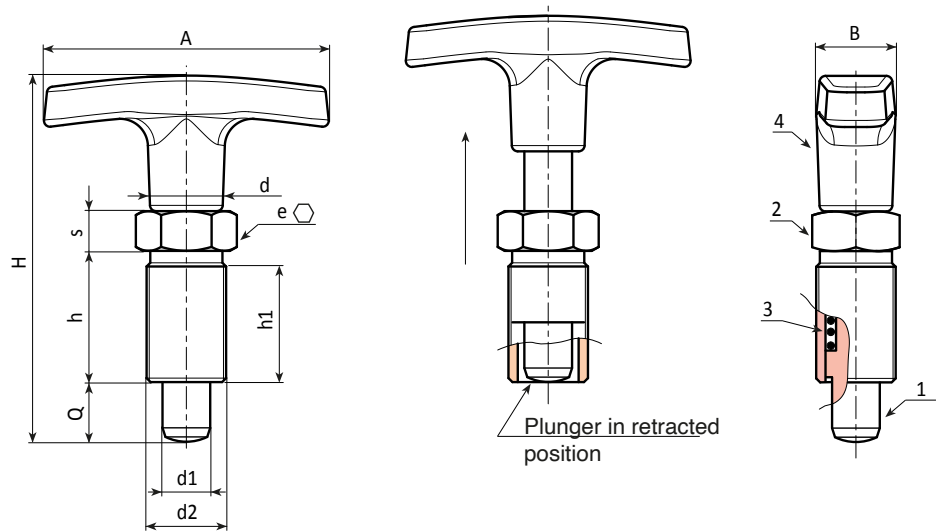
(1-2-5) Natural.

ATTENTION:

> We recommend an H7 tolerance for the plunger stem bore.

Special Requests:

- On request and for special quantities the T-handle can be supplied in the colours indicated in the table [page].



Version W270 - black-oxide treated steel

Code	Art.	A	B	H	h	h1	d2	d	e	s	d1 -0,02 -0,04	Q	g
-	W270.Q0501	50	15	51	17	15	M10x1	14	12	5	5	5	29
-	W270.Q0601	50	15	56	20	18	M12x1,5	14	14	6	6	6	36
-	W270.Q0801	60	18	75	26	24	M16x1,5	16,5	19	8	8	8	73
-	W270.Q1001	72	20	87	33	31	M20x1,5	18,5	22	10	10	10	136

Version W270CIN - stainless steel (Aisi 303)

INOX

Code	Art.	A	B	H	h	h1	d2	d	e	s	d1 -0,02 -0,04	Q	g
-	W270.I0501CIN	50	15	51	17	15	M10x1	14	12	5	5	5	29
-	W270.I0601CIN	50	15	56	20	18	M12x1,5	14	14	6	6	6	36
-	W270.I0801CIN	60	18	75	26	24	M16x1,5	16,5	19	8	8	8	73
-	W270.I1001CIN	72	20	87	33	31	M20x1,5	18,5	22	10	10	10	136