

W184

STEEL WASHER WITH SMOOTH BORE



Materials:

W184:

Steel with strength class 3.8.

W184PIN:

Stainless steel (Aisi 303).

Surface finish:

Turned with low roughness.

Colour:

W184:

Standard blue zinc plating (galvanic treatment).

W184 PIN:

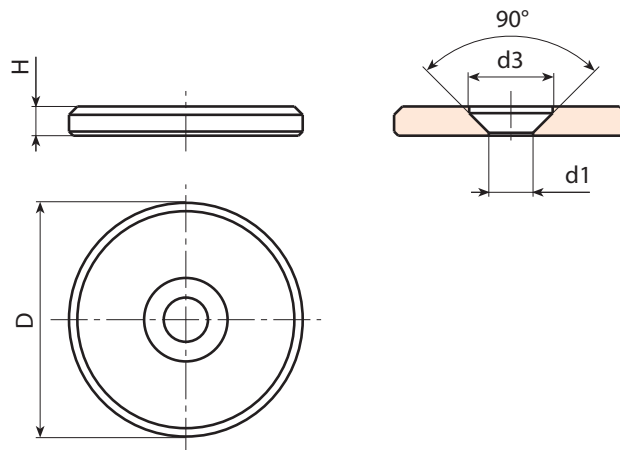
Natural.

Hole:

Smooth through bore machined from solid metal (hole tolerance H10).

Special requests:

- None.



Version W184 - nickel-plated steel

Code	Art.	d	D	H	d1 _{H10}	
-	W18416.VP4,5Z	16	3	8	4,5 x M4	4.5
-	W18420.VP4,5Z	20	3	8	4,5 x M4	7
-	W18422.VP5,5Z	22	3.5	10	5,5 x M5	10
-	W18425.VP5,5Z	25	3.5	10	5,5 x M5	13
-	W18428.VP5,5Z	28	3.5	10	5,5 x M5	16
-	W18432.VP6,5Z	32	4	12	6,5 x M6	24
-	W18436.VP6,5Z	36	4	12	6,5 x M6	31
-	W18440.VP6,5Z	40	5	12	6,5 x M6	48

Version W184 PIN - stainless steel (Aisi 303)

INOX

Code	Art.	d	D	H	d1 _{H10}	
-	W18416.IP4,5PIN	16	3	8	4,5 x M4	4.5
-	W18420.IP4,5PIN	20	3	8	4,5 x M4	7
-	W18422.IP5,5PIN	22	3.5	10	5,5 x M5	10
-	W18425.IP5,5PIN	25	3.5	10	5,5 x M5	13
-	W18428.IP5,5PIN	28	3.5	10	5,5 x M5	16
-	W18432.IP6,5PIN	32	4	12	6,5 x M6	24
-	W18436.IP6,5PIN	36	4	12	6,5 x M6	31
-	W18440.IP6,5PIN	40	5	12	6,5 x M6	48