

# W118

## STEEL KNOB WITH THREADED HOLE



### Materials:

#### W118B-W118H:

Steel with strength class 5.8.

#### W118CIN:

Stainless steel (Aisi 303).

### Surface finish:

#### W118...H (nickel plated):

Turned and sandblasted.

#### W118...B (black-oxide treated) and W118...CIN (stainless steel):

Turned and polished.

### Colour:

#### W118...B:

Black-oxide treated.

#### W118...H:

Nickel-plated.

#### W118...CIN:

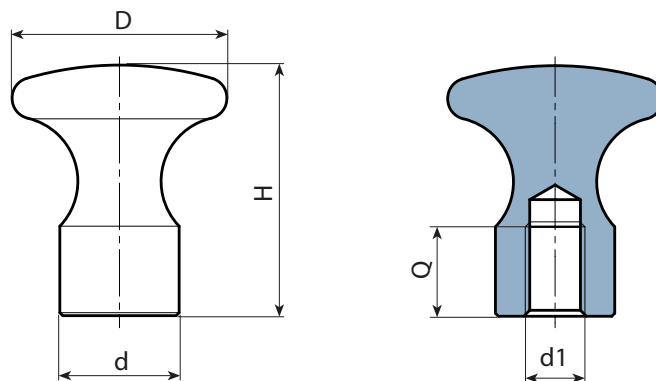
Natural.

### Hole:

Female threaded hole machined from solid metal (thread tolerance 6H).

### Special requests:

- Upon request and for special quantities knobs can be supplied to customer's drawing with hole diameter d1.



### Version W118...H - Nickel plated

Code	art.	d	D	H	d1 <sup>6H</sup>	Q	g
-	W11816.SM05H	10	16	18	M5	7	-
-	W11820.SM06H	12	20	24	M6	9	-
-	W11825.SM06H	14	25	29	M6	9	-
-	W11832.SM08H	18	32	37	M8	12	-
-	W11836.SM10H	20	36	42	M10	15	-

### Version W118...B - Black-oxide treated

Code	Art.	d	D	H	d1 <sup>6H</sup>	Q	g
-	W11816.SM05B	10	16	18	M5	7	-
-	W11820.SM06B	12	20	24	M6	9	-
-	W11825.SM06B	14	25	29	M6	9	-
-	W11832.SM08B	18	32	37	M8	12	-
-	W11836.SM10B	20	36	42	M10	15	-

### Version W118...CIN - Stainless steel (Aisi 303)

INOX

Code	Art.	d	D	H	d1 <sup>6H</sup>	Q	g
-	W11816.IM05CIN	10	16	18	M5	7	-
-	W11820.IM06CIN	12	20	24	M6	9	-
-	W11825.IM06CIN	14	25	29	M6	9	-
-	W11832.IM08CIN	18	32	37	M8	12	-
-	W11836.IM10CIN	20	36	42	M10	15	-