

W102HIN

NEW

+200°
-40°

Aisi
304

RoHS
COMPLIANT

SOLID STAINLESS STEEL LOBED HANDWHEEL WITH THREADED HOLE

INOX

Materials:

Precision-cast stainless steel, (Aisi 304).

Surface finish:

Electropolished satin finish.

Colour:

Natural.

Hole:

Version HNM:

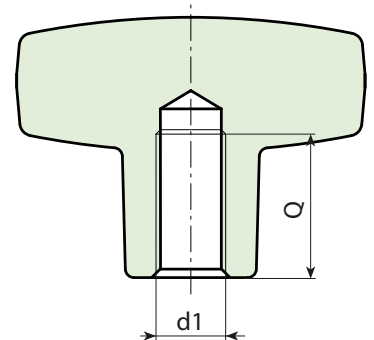
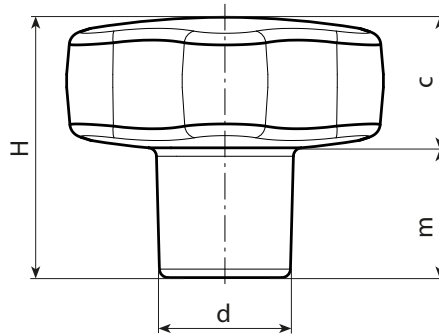
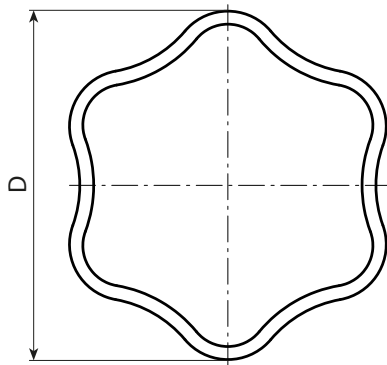
Female threaded hole (thread tolerance 6H).

Version HND:

Blind smooth bore (bore tolerance H7).

Special requests:

- None.



Version HNM: with female threaded hole.

INOX

Code	Art.	D	H	d	m	D	d _{16H}	Q	g
-	W10230.HNM05HIN	30	21	11	11		M5	10	-
-	W10230.HNM06HIN	30	21	11	11		M6	12	-
-	W10240.HNM06HIN	40	30	15	15		M6	12	-
-	W10240.HNM08HIN	40	30	15	15		M8	15	-
-	W10250.HNM08HIN	50	34	17	17		M8	15	-
-	W10250.HNM10HIN	50	34	17	17		M10	18	-
-	W10260.HNM08HIN	60	39	21	18		M08	15	360
-	W10260.HNM10HIN	60	39	21	18		M10	18	360
-	W10260.HNM12HIN	60	39	21	18		M12	22	360

Version HND: with blind smooth bore H7

INOX

Code	Art.	D	H	d	m	D	d _{1H7}	Q	g
-	W10240.HND08HIN	40	30	15	15		8	15	-
-	W10250.HND10HIN	50	34	17	17		10	18	-
-	W10260.HND12HIN	60	39	21	18		12	22	360