

W101HIN

NEW

+200°
-40°

Aisi
304

RoHS
COMPLIANT

STAINLESS STEEL LOBED HANDWHEEL WITH THREADED STUD

INOX

Materials:

Precision-cast stainless steel, (Aisi 304).

Surface finish:

Electropolished satin finish.

Colour:

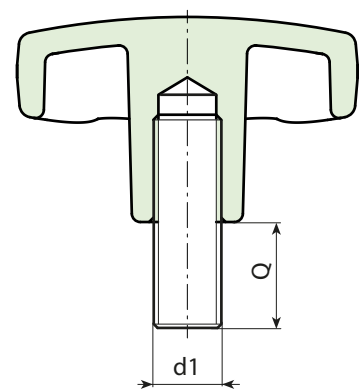
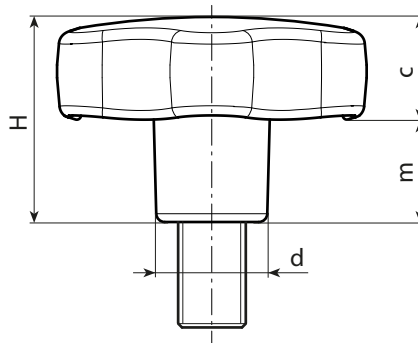
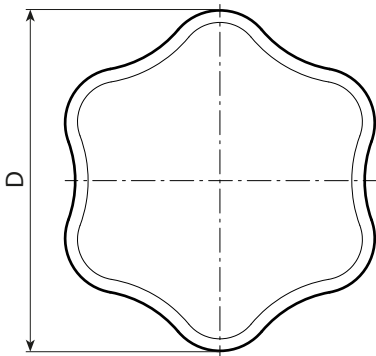
Natural.

Stud:

Threaded stainless steel stud (AISI 303) (thread tolerance 6g), assembled and fixed with high-strength threadlocker.

Special requests:

- Upon request and for a minimum of 50 pieces inserts can be supplied with customised lengths.



INOX

Code	Art.	D	H	d	m	d1 ^{6H}	Q	g
-	W10130.HNM05X15HIN	30	21	11	11	M5	15	-
-	W10130.HNM06X15HIN	30	21	11	11	M6	15	-
-	W10140.HNM06X20HIN	40	24	13	12	M6	20	-
-	W10140.HNM08X20HIN	40	24	13	12	M8	20	-
-	W10150.HNM08X30HIN	50	31	15	13,5	M8	30	-
-	W10150.HNM10X30HIN	50	31	15	13,5	M10	30	-
-	W10160.HNM08X30HIN	60	39	17	18	M8	30	-
-	W10160.HNM10X30HIN	60	39	17	18	M10	30	-
-	W10160.HNM12X30HIN	60	39	17	18	M12	30	-