

# T559



## SAW SAFETY GUARD WITH EXTENSION FOR SCORING BLADE

**Materials:**  
(1-2-9) Polycarbonate.

**Surface finish:**  
Satin.

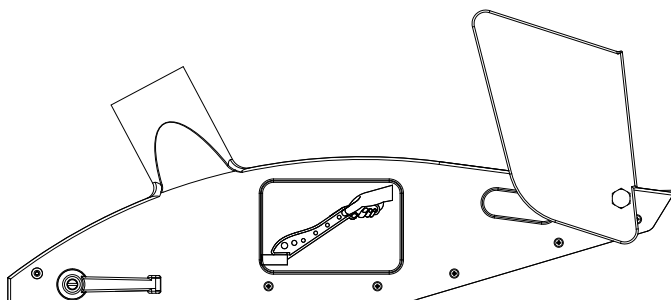
**Colour:**  
Transparent.

**Inserts:**  
(3) Aluminium rivet AL4.010 4.0x10.  
(4) Brass threaded through-hole insert.  
(5) Galvanised steel washer.  
(6) Spring pin d.6x30 in black-oxide treated spring steel DIN 148.  
(7) Brass self-tapping screw M03x10 DIN 97.  
(8) Turned brass pin to rotate and fix the extension.  
(9) Mobile safety extension for scoring blade.

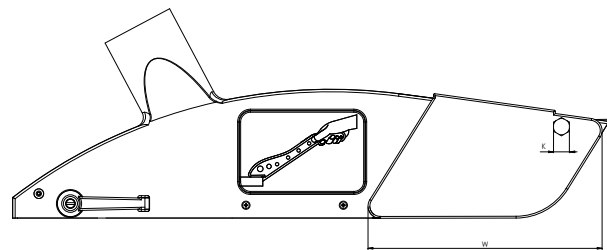
**Clamping lever:**  
Indexed clamping lever art. A523065.TM08X3001.

**Special requests:**

- Black suction tube adapter D. 40 to be ordered separately - art. T556040.T01.



Extension in the highest position.

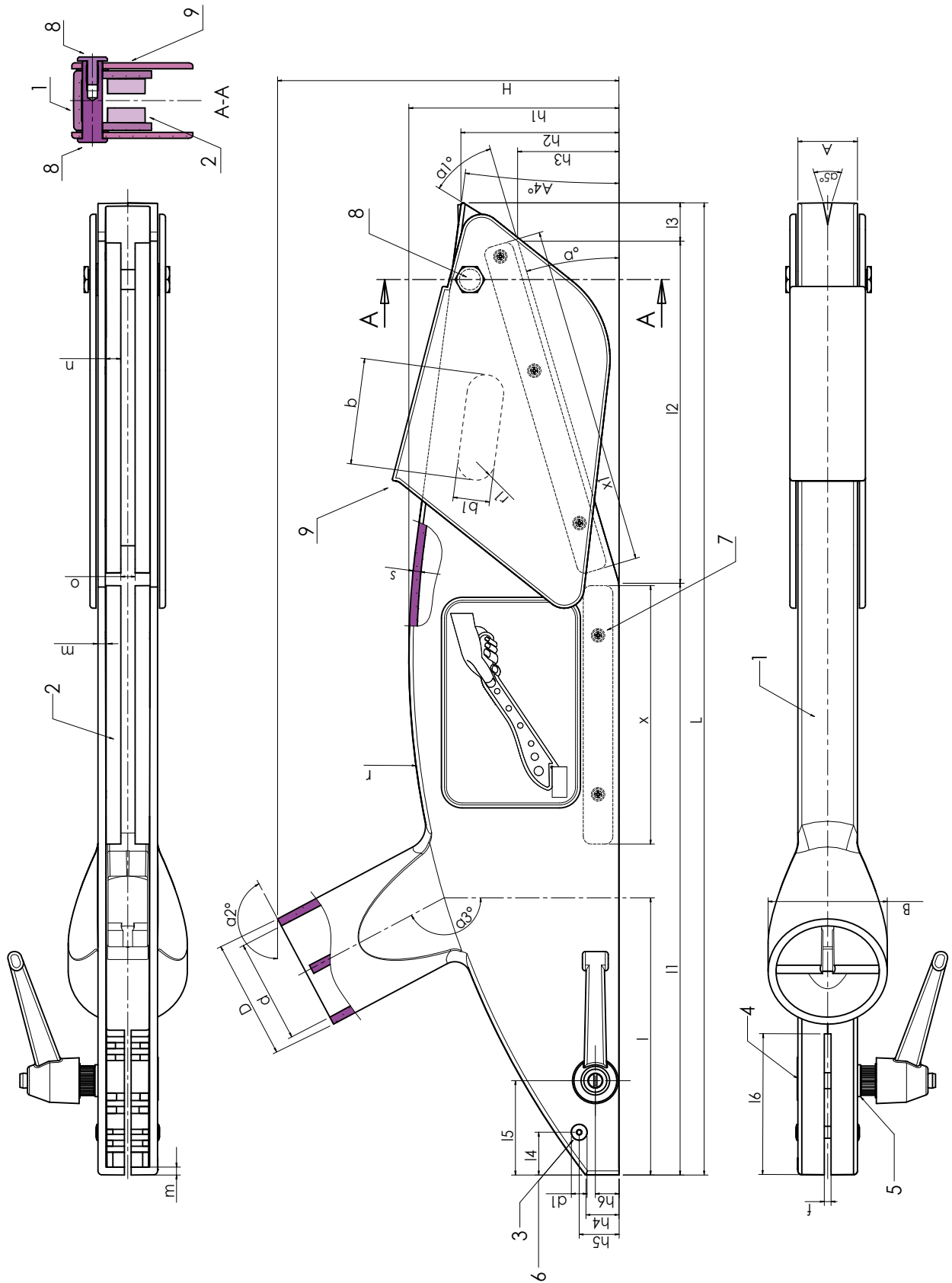


Extension in the lowest position.

Code	Art.	L	A	B	H	D	d	d1	I	I1	I2	I3	I4	I5	I6	h1	h2	h3	h4
-	T559300.CCRI	490	30	60	172	60	53	6	145	297	176	17	21.5	47.5	70	105	79.5	52	14.5

# T559

## SAW SAFETY GUARD WITH EXTENSION FOR SCORING BLADE



Code	h5	h6	a°	a1°	a2°	a3°	a4°	a5°	b	b1	f	m	n	o	r	r1	s	x	x1	W	K	g
-	20	11.5	16.5	41	152	152	7.5	22	56	21	3	4	7	8	430	10	4	130	170	192	13	650