

T558



EXTENSION KIT FOR SCORING BLADE FOR T556300

Materials:
Polycarbonate.

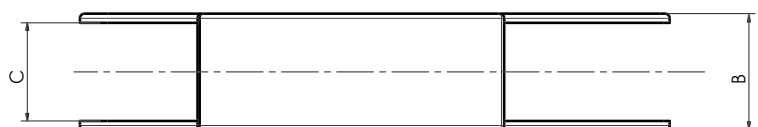
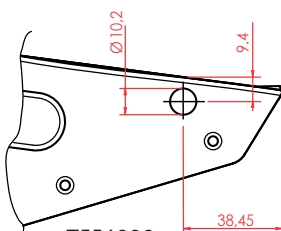
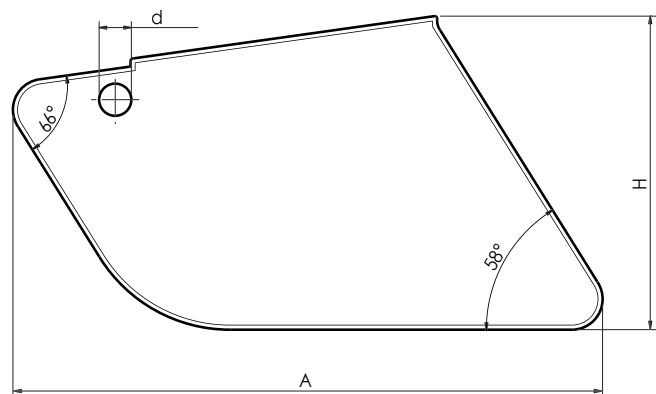
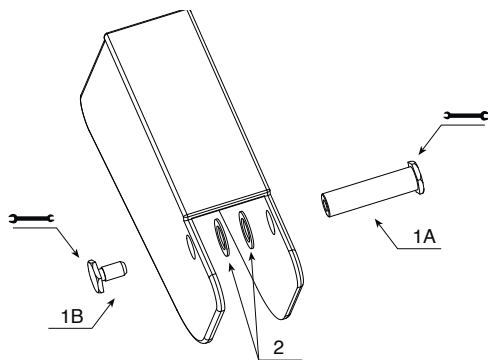
Surface finish:
Satin.

Colour:
Transparent

Inserts:
(1A) Turned brass pivot pin with hexagon head.
(1B) Special turned brass fixing screw with hexagon head.
(2) Brass spacer washer D. 16x0.8 hole 10.3.



The extension is delivered with a cardboard spacer and with the fittings unassembled.



Drilling indications on T556300:

Measurements are indicative due to non-constant material shrinkage. Always check each batch before drilling. The differences are in the range of a few tenths of a millimeter.

Code	art.	A	H	B	C	d	C	E	g
T558300.0001	T558300.CCRI	192	102	38	32	10.5	32	13	122