

T501



ALUMINIUM TANK PLUG WITH MAGNET (RESISTANT UP TO 200°C)

Materials:

- (1) Aluminium plug (alloy 6060).
- (4) Neodymium magnet - NdFeB- (N35EH) resistant up to 200°C.
- (2) Punched "MAGNETIC" writing resistant up to 200°C.
- (3) Gasket in fluoroelastomer (VITON®) resistant up to 200°C.

Surface finish:

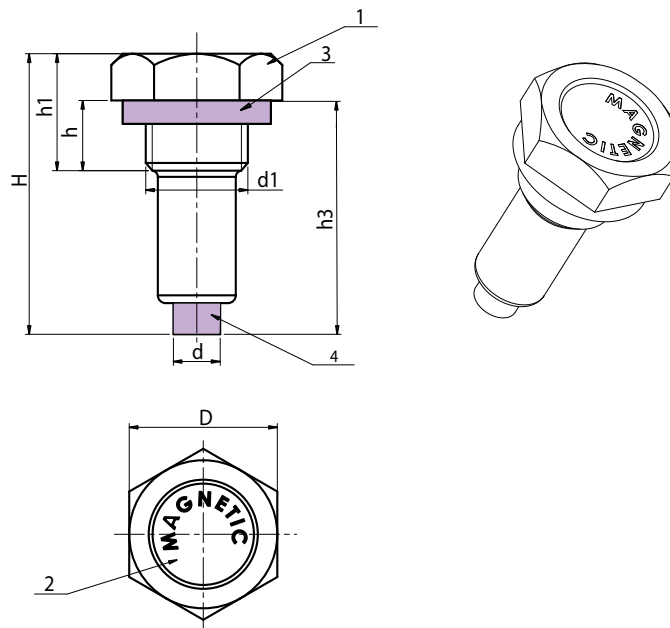
Turned.

Colour:

Natural.

Special requests:

- Upon request and for special quantities writings can be supplied to customer's drawing.
- Upon request and for special quantities thread d1 can be supplied to customer's drawing.



Version with GAS threads

Code	art.	D	d	H	h	h1	h3	d1 (GAS)	g
-	T50119.AT1-4	19	6	36	9	15	28	1/4	14
-	T50122.AT3-8	22	8	36	9	15	30	3/8	21
-	T50126.AT1-2	26	8	40	11	18	34	1/2	-
-	T50132.AT3-4	32	8	44	12	20	36	3/4	-

Version with metric fine pitch

Code	art.	D	d	H	h	h1	h3	d1	g
-	T50122.AB16X1,5	22	8	36	9	15	30	M16X1,5	21
-	T50126.AB20X1,5	26	8	40	11	18	34	M20X1,5	-
-	T50132.AB27X1,5	32	8	44	12	20	36	M27X1,5	-