

T500

ALUMINIUM TANK PLUG WITH MAGNET



Materials:

- (1) Aluminium plug (alloy 6060).
- (4) Neodymium magnet -NdFeB- (N35SH) resistant up to 120°C.
- (2) Pad-printed "MAGNETIC" writing, resistant up to 120°C.
- (3) NBR rubber gasket.

Surface finish:

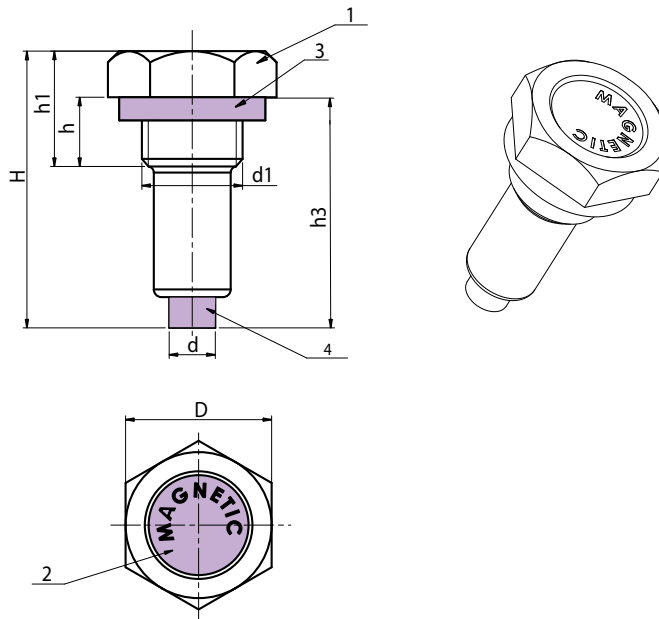
Turned.

Colour:

Natural.

Special requests:

- Upon request and for special quantities pad-printings can be supplied to customer's drawing.
- Upon request and for special quantities thread d1 can be supplied to customer's drawing.



Version with GAS threads

Code	art.	D	d	H	h	h1	h3	d1 (GAS)	g
-	T50019.AT1-4	19	6	36	9	15	28	1/4	14
-	T50022.AT3-8	22	8	36	9	15	30	3/8	21
-	T50026.AT1-2	26	8	40	11	18	34	1/2	-
-	T50032.AT3-4	32	8	44	12	20	36	3/4	-

Version with metric fine pitch

Code	art.	D	d	H	h	h1	h3	d1	g
-	T50022.AB16X1,5	22	8	36	9	15	30	M16X1,5	21
-	T50026.AB20X1,5	26	8	40	11	18	34	M20X1,5	-
-	T50032.AB27X1,5	32	8	44	12	20	36	M27X1,5	-