

T420



SAMARIUM-COBALT ROUND DISC MAGNET WITH GALVANISED STEEL SHELL AND FEMALE THREADED STUD

Materials:

- (1) Turned free-cutting steel shell with female threaded stud (thread tolerance 6H).
- (2) Flat samarium-cobalt magnet (SmCo).
- (3) Plastic spacer.

Surface finish:

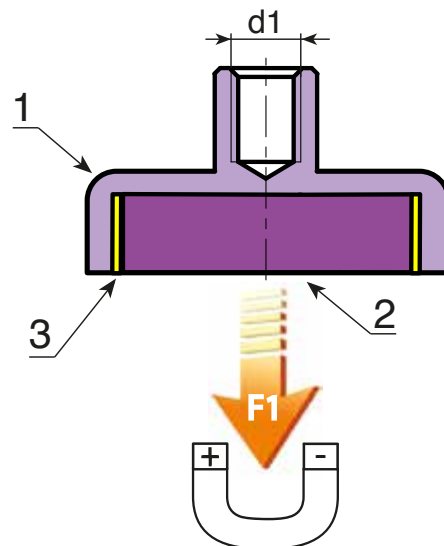
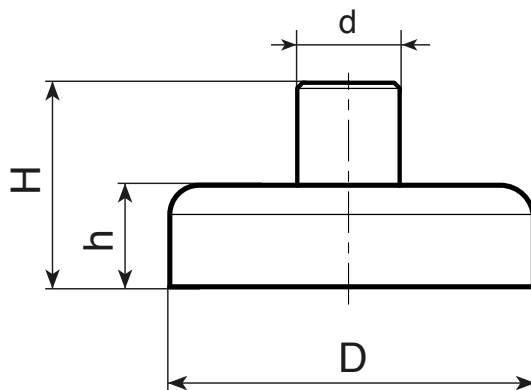
Smooth.

Colour:

Standard blue galvanising.

Special requests:

- Upon request and for special quantities the steel shell of model T420 can be supplied black galvanised (720h salt spray resistance).



R

Code	art.	D \pm 0,1	h \pm 0,2	H \pm 0,2	d \pm 0,2	d \leq 6H	\bar{g}	F1 (N)
-	T420006.VZM03	06	4,5	11,5	6	M3	2	5
-	T420008.VZM03	08	4,5	11,5	6	M3	3	11
-	T420010.VZM03	10	4,5	11,5	6	M3	4	20
-	T420013.VZM03	13	4,5	11,5	6	M3	6	40
-	T420016.VZM04	16	4,5	11,5	6	M4	7	60
-	T420020.VZM04	20	6	13	8	M4	16	90
-	T420025.VZM04	25	7	14	8	M4	28	150
-	T420032.VZM05	32	7	15,5	10	M5	47	220