

T417



NEODYMIUM ROUND DISC MAGNET WITH GALVANISED STEEL SHELL AND THREADED STUD

Materials:

- (1) Turned free-cutting steel shell with threaded stud (thread tolerance 6g).
- (2) Flat neodymium-iron-boron magnet (NdFeB).
- (3) Plastic spacer.

Surface finish:

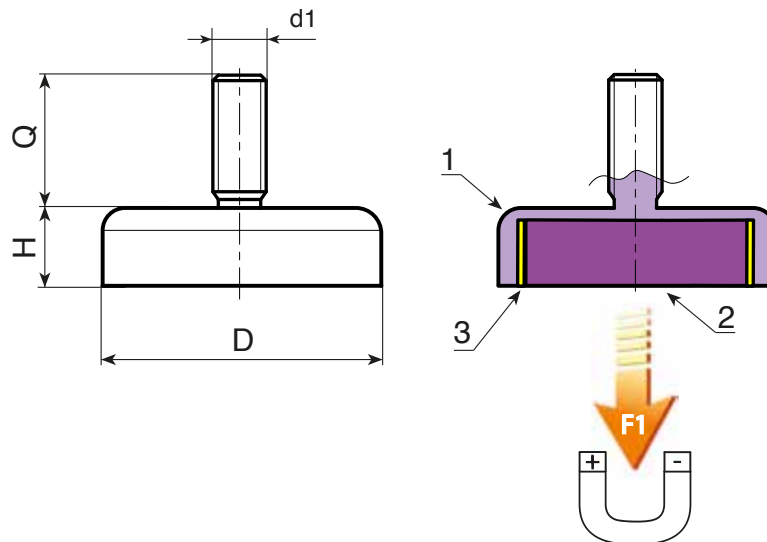
Smooth.

Colour:

Standard blue galvanising.

Special requests:

- Upon request and for special quantities the steel shell of model T417 can be supplied black galvanised (720h salt spray resistance).



Code	art.	D±0,1	H±0,2	d16g	Q±0,5	g	F1 (N)
-	T417006.VZM03X07	06	4,5	M3	07	1,3	5
-	T417008.VZM04X08	08	4,5	M4	08	2,3	13
-	T417010.VZM03X07	10	4,5	M3	07	2,5	25
-	T417010.VZM04X08	10	4,5	M4	08	3	25
-	T417013.VZM05X08	13	4,5	M5	08	5	60
-	T417016.VZM06X08	16	4,5	M6	08	8	95
-	T417020.VZM06X10	20	6	M6	10	15	140
-	T417025.VZM06X10	25	7	M6	10	27	200
-	T417032.VZM06X10	32	7	M6	10	42	350
-	T417040.VZM08X12	40	8	M8	12	80	670