

T416



FERRITE

AVP



FERRITE ROUND DISC MAGNET WITH GALVANISED STEEL SHELL AND THREADED STUD

Materials:

- (1) Turned free-cutting steel shell with threaded stud (thread tolerance 6g).
- (2) Flat ferrite magnet.
- (3) Plastic spacer.

Surface finish:

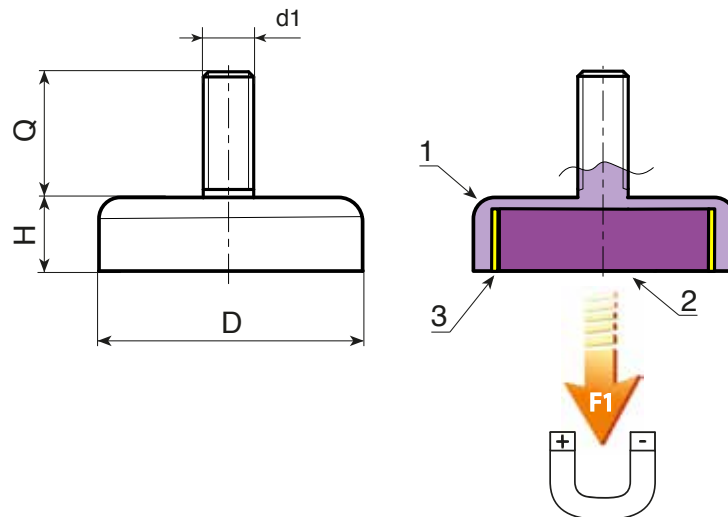
Smooth.

Colour:

Standard blue galvanising.

Special requests:

- Upon request and for special quantities the steel shell of model T416 can be supplied black galvanised (720h salt spray resistance).



R

Code	art.	D	H ±0,2	d16g	Q ±0,5	g	F1 (N)
-	T416010.VZM03X07	10 ±0,1	4,5	M3	07	2	4
-	T416013.VZM03X07	13 ±0,1	4,5	M3	07	3	10
-	T416016.VZM03X07	16 ±0,1	4,5	M3	07	5	18
-	T416016.VZM04X06	16 ±0,1	4,5	M4	06	5	18
-	T416020.VZM03X07	20 ±0,1	6	M3	07	10	30
-	T416020.VZM06X30	20 ±0,1	6	M6	30	15	30
-	T416025.VZM04X08	25 ±0,1	7	M4	08	19	40
-	T416025.VZM05X15	25 ±0,1	7	M5	15	20	40
-	T416025.VZM06X20	25 ±0,1	7	M6	20	22	40
-	T416032.VZM04X08	32 ±0,1	7	M4	08	30	80
-	T416032.VZM06X12	32 ±0,1	7	M6	12	31	80
-	T416032.VZM08X10	32 ±0,1	7	M8	10	32	80
-	T416047.VZM06X08	47 +0,2/-0,1	9	M6	08	85	180
-	T416057.VZM06X08	57 +0,3/-0,1	10,5	M6	08	146	280
-	T416063.VZM06X15	63 +0,3/-0,1	14	M6	15	233	350