

T401



COATED NEODYMIUM ROUND DISC MAGNET WITH THREADED STUD

Materials:

- (1) Thermoplastic rubber TPE (75 Shore).
- (2) Flat neodymium magnet (NdFeB).
- (3) Turned galvanised steel base, with threaded stud (thread tolerance 6g).

Surface finish:

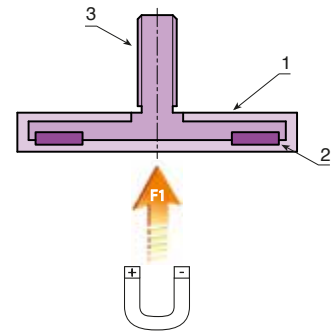
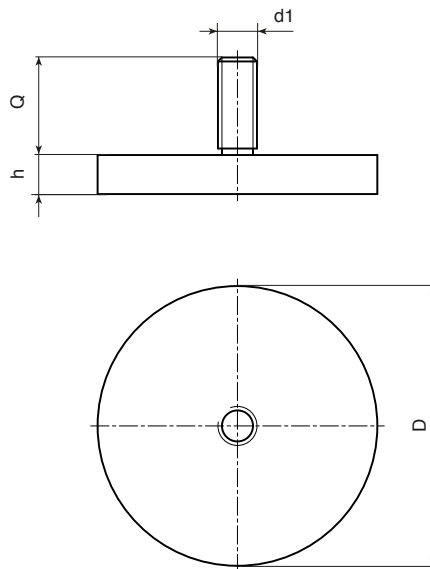
Smooth.

Colour:

- Black (RAL 9011 code 01).
- White (RAL 9004 code 04).

Special requests:

- None.



Black version (code 01)

Code	art.	D	h	d16g	Q	\bar{g}	F1 (N)
-	T401012.GM04X0801	12	7	M4	08	4.5	13
-	T401018.GM04X0601	18	6	M4	06	7.5	37
-	T401022.GM04X6.501	22	6	M4	6.5	11	58
-	T401043.GM06X1501	43	6	M6	15	32	100
-	T401066.GM08X1501	66	8.5	M8	15	107	250
-	T401088.GM08X1501	88	8.5	M8	15	193	550

White version (code 04)

Code	art.	D	h	d16g	Q	\bar{g}	F1 (N)
-	T401012.GM04X0804	12	7	M4	08	4.5	13
-	T401018.GM04X0604	18	6	M4	06	7.5	37
-	T401022.GM04X6.504	22	6	M4	6.5	11	58
-	T401043.GM06X1504	43	6	M6	15	32	100
-	T401066.GM08X1501	66	8.5	M8	15	107	250
-	T401088.GM08X1501	88	8.5	M8	15	193	550