

T200



CROSS CLAMP WITH 90° HOLES AND SCREW FIXING

Materials:

Reinforced polyamide.
Resistant to oils and greases.

Surface finish:

Satin.

Colour:

Black (RAL 9011).

Inserts:

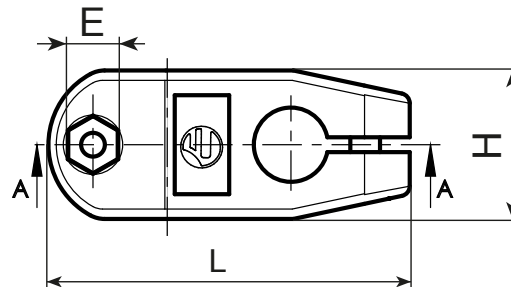
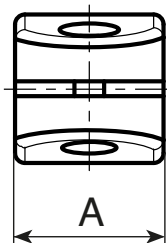
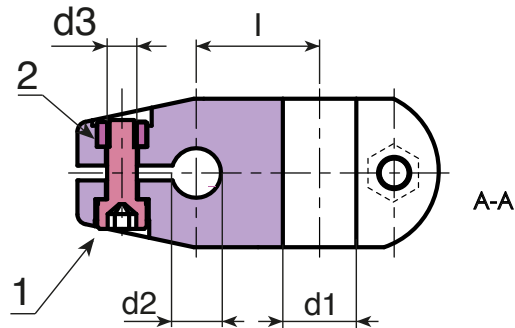
(1) Galvanised steel hexagon socket head cap screw TCCE DIN 912.
Galvanised steel nut with threaded through hole DIN 934/UNI 5588.

Hole:

Smooth through hole obtained by moulding the plastic.

Special requests:

- Upon request and for special quantities the clamp can be supplied with holes d1 and d2 to customer's drawing.
- Upon request and for special quantities the clamp can be supplied with holes d1 and d2 square.
- Upon request and for special quantities available in the colours indicated in the chart on page .



Code	art.	L	A	H	E	l	c	d3	d1	d2	
-	T20073.TG121001	73	30	30	10	25	2,8	M06	12	10	72
-	T20073.TG121201	73	30	30	10	25	2,8	M06	12	12	70
-	T20073.TG121401	73	30	30	10	25	2,8	M06	12	14	69
-	T20073.TG121601	73	30	30	10	25	2,8	M06	12	16	68