

# S603

## SNAP-FIT SPOOL HOLDER FOR WELDING WIRE



### Materials:

(1-2) Reinforced polyamide.  
Resistant to oils and greases.

### Surface finish:

Satin.

### Colour:

Black (RAL 9011).

### Inserts:

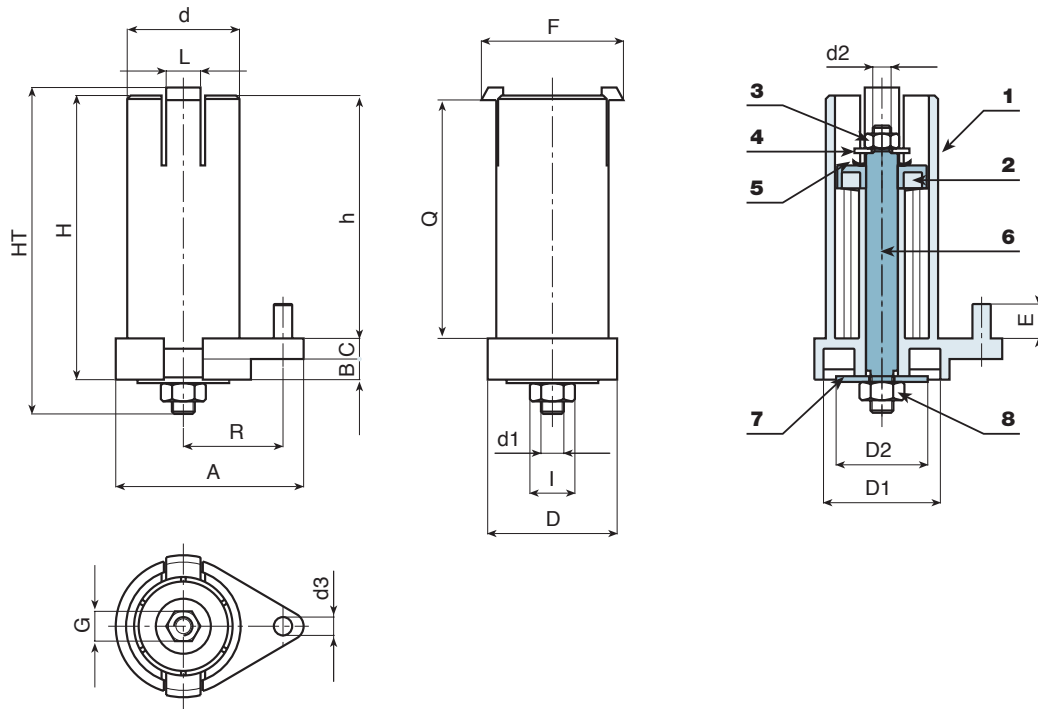
(3-8) Galvanised steel left-hand threaded nut.  
(4) Galvanised steel washer.  
(5-7) Black oxide treated steel spring washer.  
(6) Insert with galvanised steel threaded studs.

### Special Requests:

- None.

### ATTENTION:

Spool holder S603 can only be used with plastic or iron spools with internal frame diameter  $d$ . 53 mm and width 100 mm.



Code	art.	D	D1	D2	HT	H	d	d1	d2	d3	h	A	B	C	E	F	G	I	L	Q	R	g
-	S603118.T01	60	51	40	137	118	50	M10 SX	M8 SX	8	107	82	3	9	15	63	13	17	15	104	43.5	295
-	S603124.T01	60	51	40	145	124	50	M10 SX	M8 SX	8	107	82	9	9	15	63	13	17	15	104	43.5	315