

R609



POLYPROPYLENE / RUBBER WHEEL WITH RIGID STEEL FORK AND MOUNTING PLATE

Materials:

Wheel body:

Polypropylene.

Tread:

Synthetic thermoplastic rubber. Hardness 93 ± 3 Shore A.

Surface finish:

Smooth.

Colour:

- (1) Dark grey.
- (2) Light grey.
- (3-4-5-6-7) Galvanised blue.

Wheel rotation (4):

The hole for the pivot pin is formed by plastic moulding. A galvanised steel tube is positioned between the stud and the hole for protection.

Bracket (3):

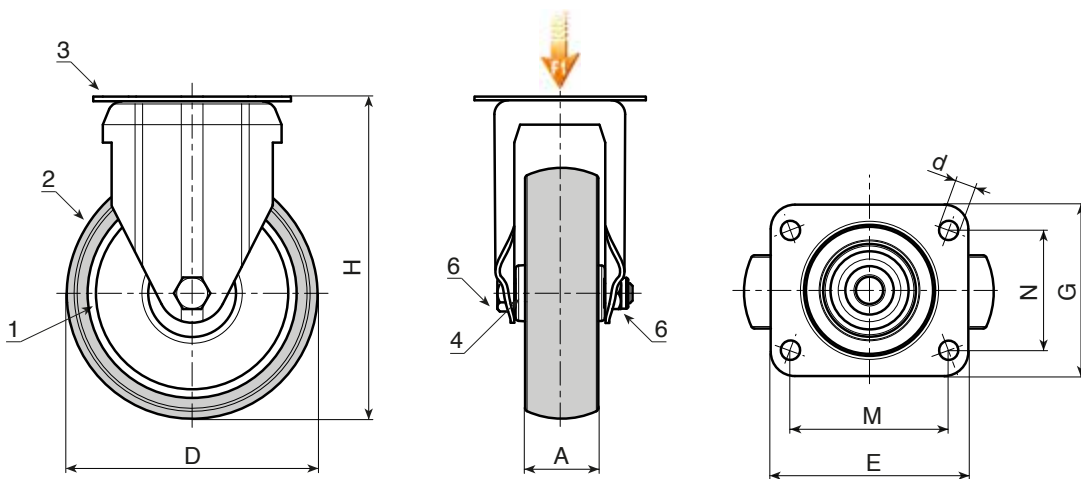
Steel (DD13) fork, with mounting holes in the base.

Wheel fastening (6):

Steel hex head screw, coupled with a steel nut.

Special requests:

- Upon request the wheel can be supplied in material with high electrical conductivity (ESD).



Version: standard.

Code	art.	D	A	H	E	G	M	N	d	g	F1(Kg)
-	R609050.T18P045X045	50	18	70	60	60	45	45	6,5	-	40
-	R609063.T22P045X045	63	22	90	60	60	45	45	6,5	-	60
-	R609080.T22P045X045	80	22	109	60	60	45	45	6,5	-	60
-	R609100.T27P060X050	100	27	134	76	70	60	50	8,3	-	80
-	R609125.T27P060X050	125	27	159	76	70	60	50	8,3	-	80

Version ESD: with wheel in conductive material.



Code	art.	D	A	H	E	G	M	N	d	g	F1(Kg)
-	R609050.T18P045X045ESD	50	18	70	60	60	45	45	6,5	-	40
-	R609060.T22P045X045ESD	60	22	90	60	60	45	45	6,5	-	60
-	R609080.T24P045X045ESD	80	24	109	60	60	45	45	6,5	-	60
-	R609100.T29P060X050ESD	100	29	134	76	70	60	50	8,3	-	80
-	R609125.T29P060X050ESD	125	29	159	76	70	60	50	8,3	-	80