

R604

NEW



POLYPROPYLENE / RUBBER WHEEL WITH ROUND STEEL SWIVEL SUPPORT AND THREADED STUD WITH BRAKE

Materials:

Wheel body:

Polypropylene.

Tread:

Synthetic thermoplastic rubber. Hardness 93 ± 3 Shore A.

Surface finish:

Smooth.

Colour:

- (1) Dark grey.
- (2) Light grey.
- (3-4-5-6-7) Galvanised blue.

Wheel rotation (4):

The hole for the pivot pin is formed by plastic moulding. A galvanised steel tube is positioned between the stud and the hole for protection.

Bracket (3):

Steel fork (DD13), with integrated brake. Brake actuation lever moulded in grey plastic.

Rotating assembly (5):

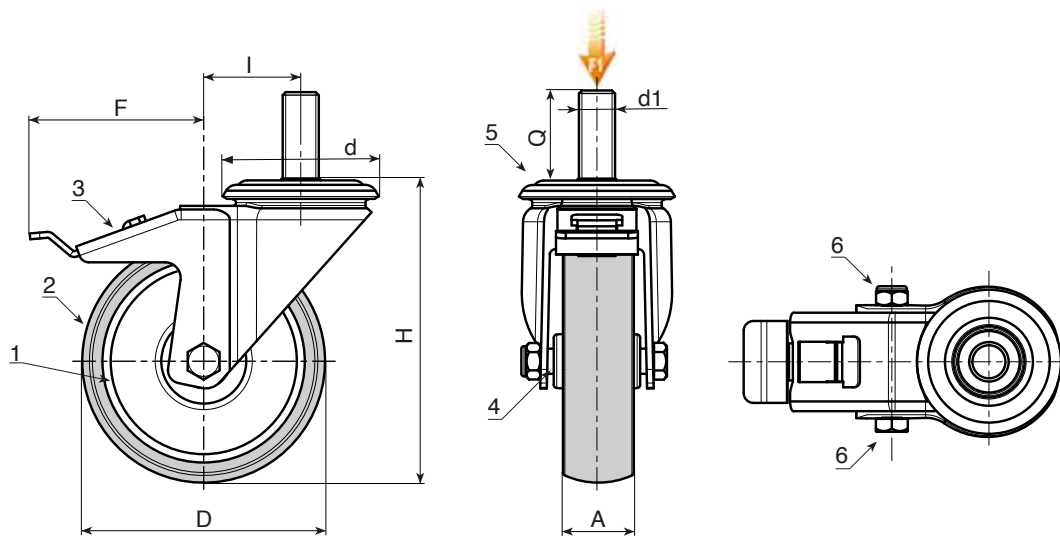
Steel rotating assembly with double ball race and threaded stud (thread tolerance 6g).

Wheel fastening (6):

Steel hex head screw, coupled with a steel nut.

Special requests:

- With a minimum of 100 pieces, M12 threaded studs can be supplied instead of M10, and vice versa.
- Upon request the wheel can be supplied in material with high electrical conductivity (ESD).



Version: standard.

| Code | art. | D | A | H | I | d | F | d16g | Q | g | F1 (Kg) |
|------|-------------------|-----|----|-----|----|----|-----|------|----|---|---------|
| - | R604050.T18M10X25 | 50 | 18 | 70 | 26 | 48 | 80 | M10 | 25 | - | 40 |
| - | R604063.T22M10X25 | 63 | 22 | 90 | 26 | 48 | 84 | M10 | 25 | - | 60 |
| - | R604080.T22M10X25 | 80 | 22 | 109 | 25 | 48 | 84 | M10 | 25 | - | 60 |
| - | R604100.T27M12X30 | 100 | 27 | 134 | 36 | 57 | 106 | M12 | 30 | - | 80 |
| - | R604125.T27M12X30 | 125 | 27 | 159 | 35 | 57 | 106 | M12 | 30 | - | 80 |

Version ESD: with wheel in conductive material.



| Code | art. | D | A | H | I | d | F | d16g | Q | g | F1 (Kg) |
|------|----------------------|-----|----|-----|----|----|-----|------|----|---|---------|
| - | R604050.T18M10X25ESD | 50 | 18 | 70 | 26 | 48 | 80 | M10 | 25 | - | 40 |
| - | R604060.T22M10X25ESD | 60 | 22 | 90 | 26 | 48 | 84 | M10 | 25 | - | 60 |
| - | R604080.T24M10X25ESD | 80 | 24 | 109 | 25 | 48 | 84 | M10 | 25 | - | 60 |
| - | R604100.T29M12X30ESD | 100 | 29 | 134 | 36 | 57 | 106 | M12 | 30 | - | 80 |
| - | R604125.T29M12X30ESD | 125 | 29 | 159 | 35 | 57 | 106 | M12 | 30 | - | 80 |