

# R603



## POLYPROPYLENE / RUBBER WHEEL WITH ROUND STEEL SWIVEL SUPPORT AND THREADED STUD

### Materials:

#### Wheel body:

Polypropylene.

#### Tread:

Synthetic thermoplastic rubber. Hardness  $93 \pm 3$  Shore A.

#### Surface finish:

Smooth.

#### Colour:

- (1) Dark grey.
- (2) Light grey.
- (3-4-5-6-7) Galvanised blue.

#### Wheel rotation (4):

The hole for the pivot pin is formed by plastic moulding. A galvanised steel tube is positioned between the stud and the hole for protection.

#### Bracket (3):

Steel fork (DD13).

#### Rotating assembly (5):

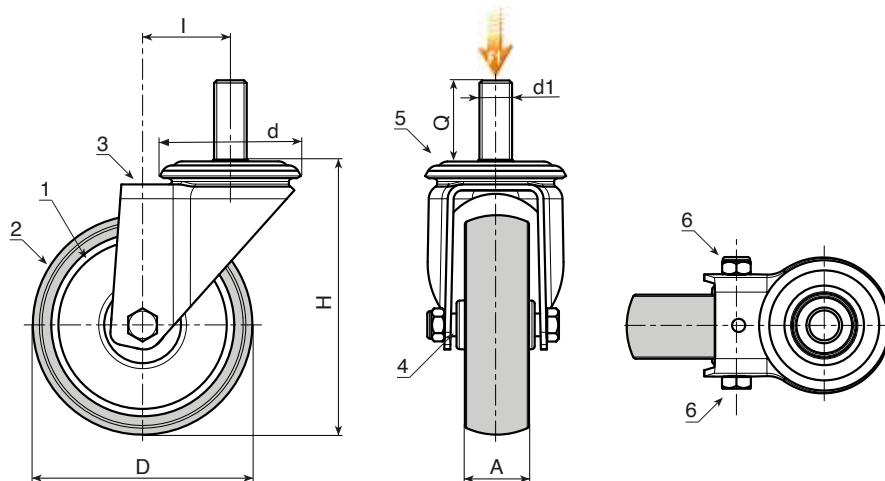
Steel rotating assembly with double ball race and threaded stud (thread tolerance 6g).

#### Wheel fastening (6):

Steel hex head screw, coupled with a steel nut.

#### Special requests:

- With a minimum of 100 pieces, M12 threaded studs can be supplied instead of M10, and vice versa.
- Upon request the wheel can be supplied in material with high electrical conductivity (ESD).



### Version: standard.

Code	art.	D	A	H	I	d	d16g	Q	g	F1 (Kg)
-	R603050.T18M10X25	50	18	70	26	48	M10	25	-	40
-	R603063.T22M10X25	63	22	90	26	48	M10	25	-	60
-	R603080.T22M10X25	80	22	109	25	48	M10	25	-	60
-	R603100.T27M12X30	100	27	134	36	57	M12	30	-	80
-	R603125.T27M12X30	125	27	159	35	57	M12	30	-	80

### Version ESD: with wheel in conductive material.

Code	art.	D	A	H	I	d	d16g	Q	g	F1 (Kg)
-	R603050.T18M10X25ESD	50	18	70	26	48	M10	25	-	40
-	R603060.T22M10X25ESD	60	22	90	26	48	M10	25	-	60
-	R603080.T24M10X25ESD	80	24	109	25	48	M10	25	-	60
-	R603100.T29M12X30ESD	100	29	134	36	57	M12	30	-	80
-	R603125.T29M12X30ESD	125	29	159	35	57	M12	30	-	80

