

# R600



## WHEEL WITH POLYPROPYLENE BODY AND THERMOPLASTIC RUBBER TREAD (WITHOUT RIG)

### Materials:

#### Wheel body:

Polypropylene.

#### Tread:

Synthetic thermoplastic rubber. Hardness  $93 \pm 3$  Shore A.

### Surface finish:

Smooth.

### Colour:

#### Body:

Light grey.

#### Tread:

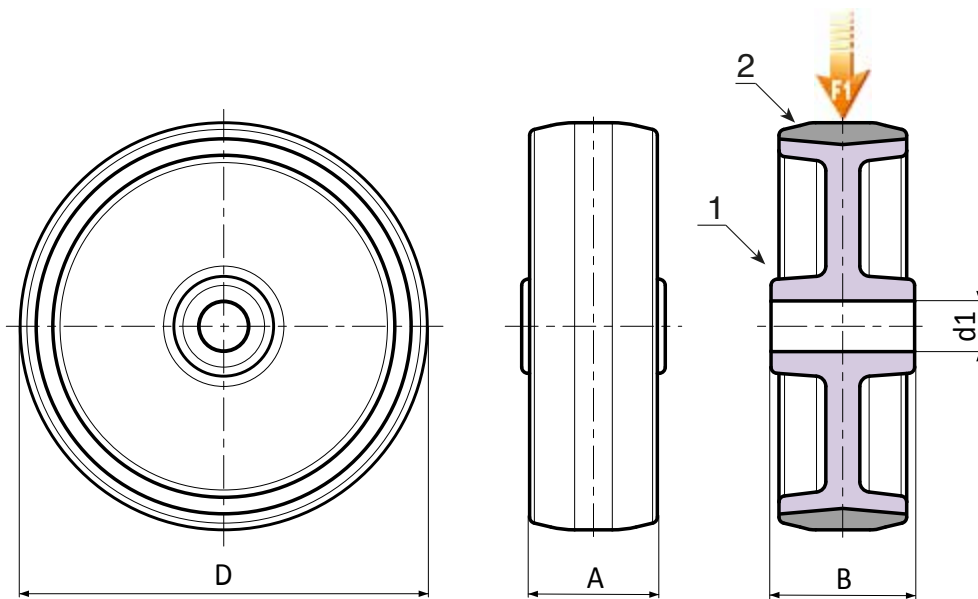
Dark grey.

### Wheel rotation:

The hole for the pivot pin is formed by plastic moulding.

### Special requests:

- Upon request the wheel can be supplied in material with high electrical conductivity (ESD).



### Version: standard.

Code	art.	D	A	B	d1	g	F1 (Kg)
-	R600050.T18D08	50	18	22	8	-	40
-	R600063.T22D10	63	22	27	10	-	60
-	R600080.T22D10	80	22	27	10	-	60
-	R600100.T27D12	100	27	32	12	-	80
-	R600125.T27D12	125	27	32	12	-	80

### Version ESD: with wheel in conductive material.



Code	art.	D	A	B	d1	g	F1 (Kg)
-	R600050.T18D08ESD	50	18	21	8	-	40
-	R600060.T22D10ESD	60	22	29	10	-	60
-	R600080.T24D10ESD	80	24	29	10	-	60
-	R600100.T29D12ESD	100	29	34	12	-	80
-	R600125.T29D12ESD	125	29	32	12	-	80