

# R553CH

## CLOSED SPINDLE GUARD



### Materials:

Reinforced polyamide.  
Resistant to oils and greases.

### Surface finish:

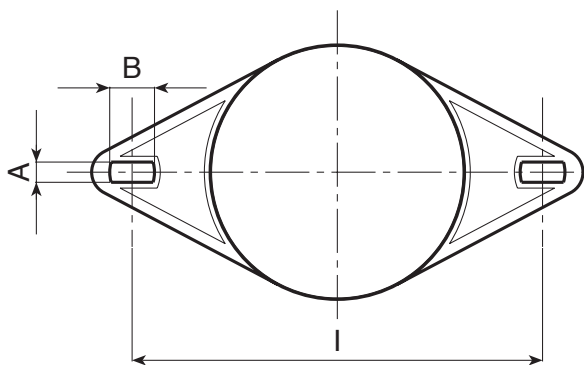
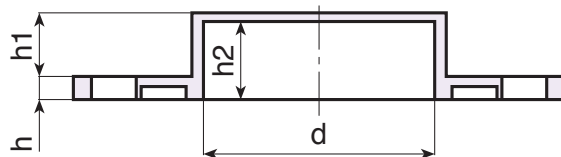
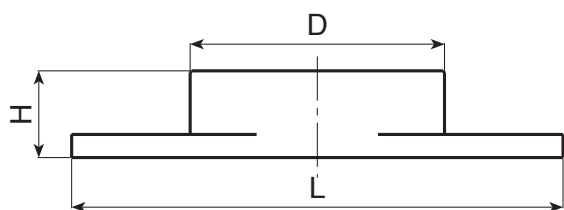
Smooth.

### Colour:

Black (RAL 9011).

### Special requests:

- None.



Code	Art.	H	D	d	L	l	A	B	h	h1	h2	g
-	R553170CH. T01	30,5	88	80	170	142	7	15	8	22,5	27,5	90