

# R553AP

## OPEN SPINDLE GUARD



**Materials:**

Reinforced polyamide.  
Resistant to oils and greases.

**Surface finish:**

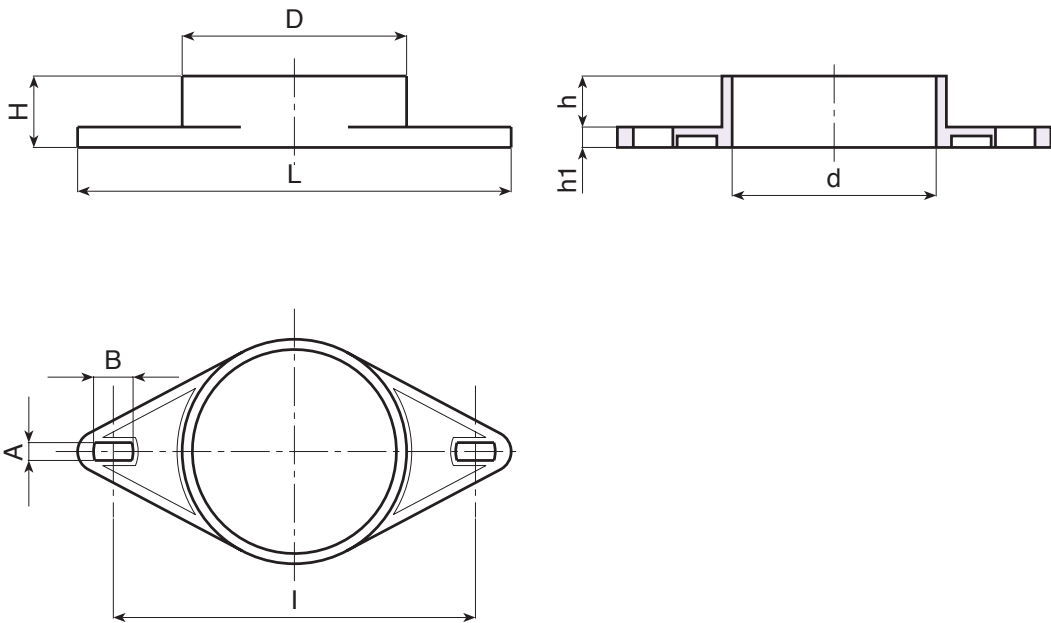
Smooth.

**Colour:**

Black (RAL 9011).

**Special requests:**

- None.



T

Code	Art.	H	D	d	L	l	A	B	h	h1	g
-	R553170AP.T01	28	88	80	170	142	7	15	8	20	50