

# R536



## TERMINAL BLOCK COVER WITH DIAGONAL HOLES AND CABLE ENTRY

**Materials:**

Impact resistant, self-extinguishing Polystyrene.

**Surface finish:**

Smooth.

**Colour:**

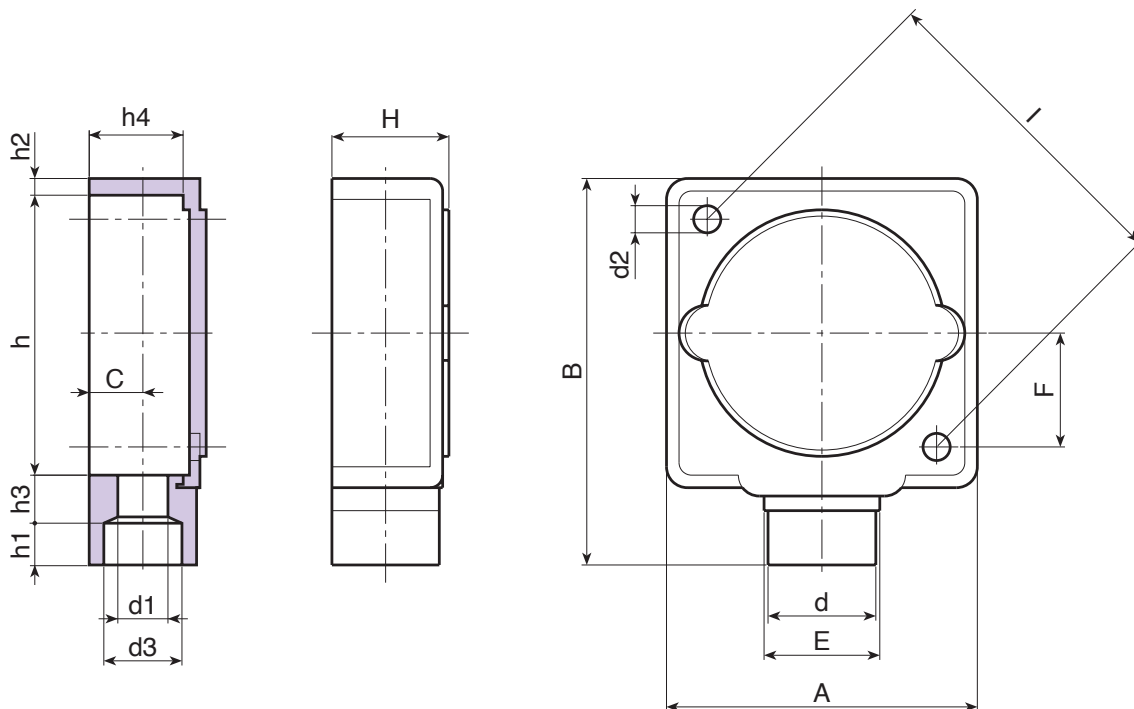
Black (RAL 9011).

**Special requests:**

- None.

**Compatible accessories:**

Terminal block article R532 [page 709].



T

Code	Art.	A	B	H	I	C	E	F	d	d1	d2	d3	h	h1	h2	h3	h4	g
-	R53676.P01	75	92	29	78,5	13	28	28	26	12	6,5	19	67	11,5	4	10	23	57