

R401



POLYPROPYLENE / RUBBER WHEEL WITH ROUND STEEL SWIVEL SUPPORT AND SMOOTH THROUGH HOLE

Materials:

Wheel body:

Polypropylene.

Tread:

Synthetic thermoplastic rubber. Hardness 93 ± 3 Shore A.

Surface finish:

Smooth.

Colour:

- (1) Black (RAL 9011).
- (2) Light grey.
- (3-4-5-6-7) Galvanised blue.

Wheel rotation (4):

The hole for the pivot pin is formed by plastic moulding. A galvanised steel tube is positioned between the stud and the hole for protection.

Bracket (3):

Steel fork (DD13).

Rotating assembly (5):

Steel rotating assembly with double ball race and smooth fixing hole, (hole tolerance H7).

Wheel fastening (6):

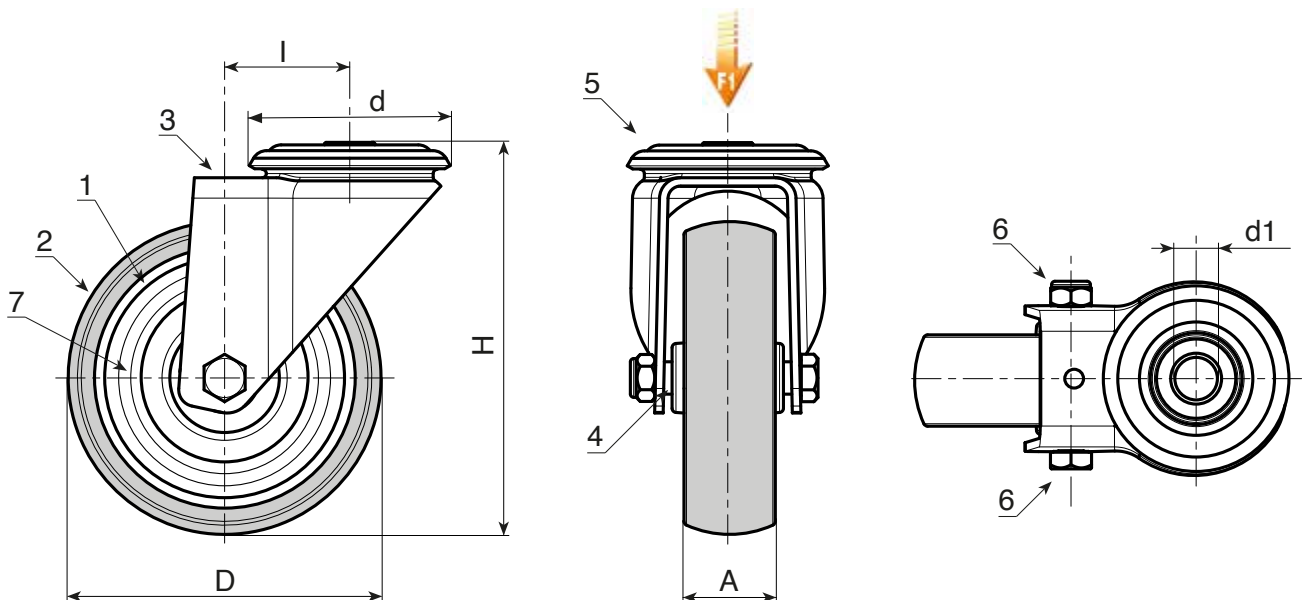
Steel hex head screw, coupled with a steel nut.

Thread guards (7):

Sheared steel thread guard disk fixed on both sides.

Special requests:

- None.



Code	art.	D	A	H	I	d	d1H7	g	F1 (Kg)
-	R401050.T18D12	50	18	70	26	48	12	-	40
-	R401063.T22D12	63	22	90	26	48	12	-	60
-	R401080.T22D12	80	22	109	25	48	12	-	60
-	R401100.T27D12	100	27	134	36	57	12	-	80
-	R401125.T27D12	125	27	159	35	57	12	-	80