

R400



WHEEL WITH POLYPROPYLENE BODY AND THERMOPLASTIC RUBBER TREAD (WITHOUT RIG)

Materials:

Wheel body:

Polypropylene.

Tread:

Synthetic thermoplastic rubber. Hardness 93 ± 3 Shore A.

Surface finish:

Smooth.

Colour:

Body:

Black (Ral 9011).

Tread:

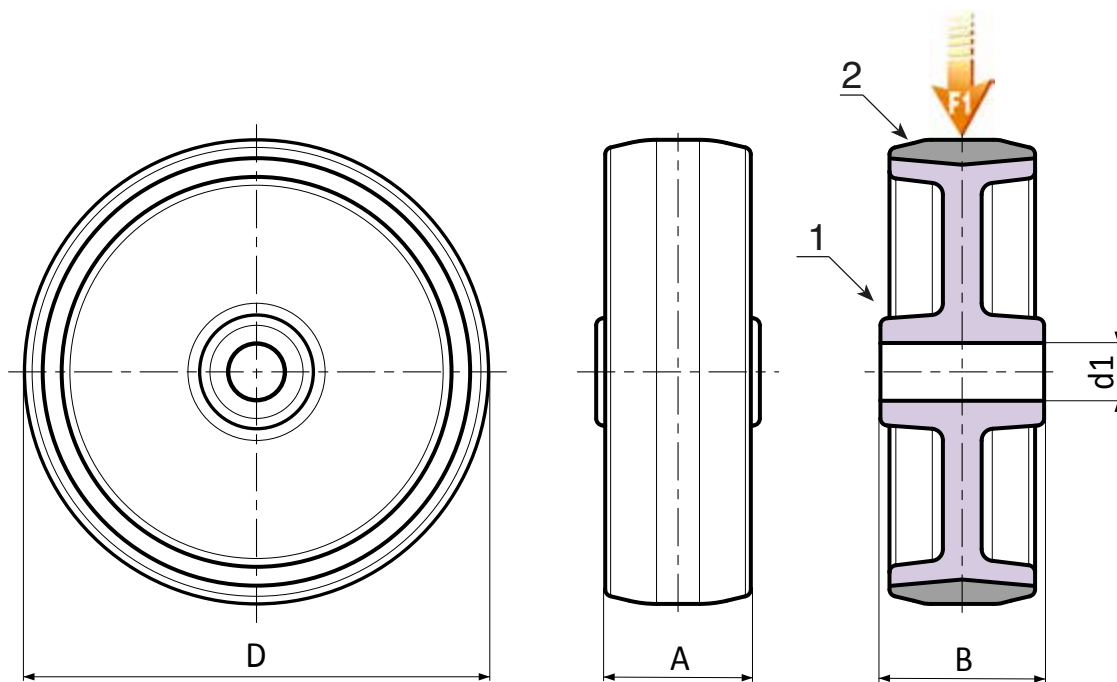
Light grey.

Wheel rotation:

The hole for the pivot pin is formed by plastic moulding.

Special requests:

- None.



Code	art.	D	A	B	d1	\bar{g}	F1 (Kg)
-	R400050.T18D08	50	18	22	8	-	40
-	R400063.T22D10	63	22	27	10	-	60
-	R400075.T24D08	75	24	27	8	-	60
-	R400080.T22D10	80	22	27	10	-	60
-	R400100.T27D12	100	27	32	12	-	80
-	R400125.T27D12	125	27	32	12	-	80