

R308



SHEET METAL RIM / RUBBER WHEEL WITH RECTANGULAR SWIVEL STEEL PLATE WITH BRAKE

Materials:

Wheel body:

Two stamped sheet metal disks (steel DD13) riveted together to create a single body.

Tread:

Natural rubber trapezoidal tread. Hardness 85 ± 4 Shore A.

Surface finish:

Smooth.

Colour:

(2) Black (RAL 9011).

(1-3-4-5-6) Galvanised blue.

Wheel rotation:

The hole for the pivot pin is stamped in sheet metal. A black polyamide insert is positioned between the pin and the hole for protection.

Bracket (3):

Steel fork (DD13), with integrated brake.

Rotating assembly (5):

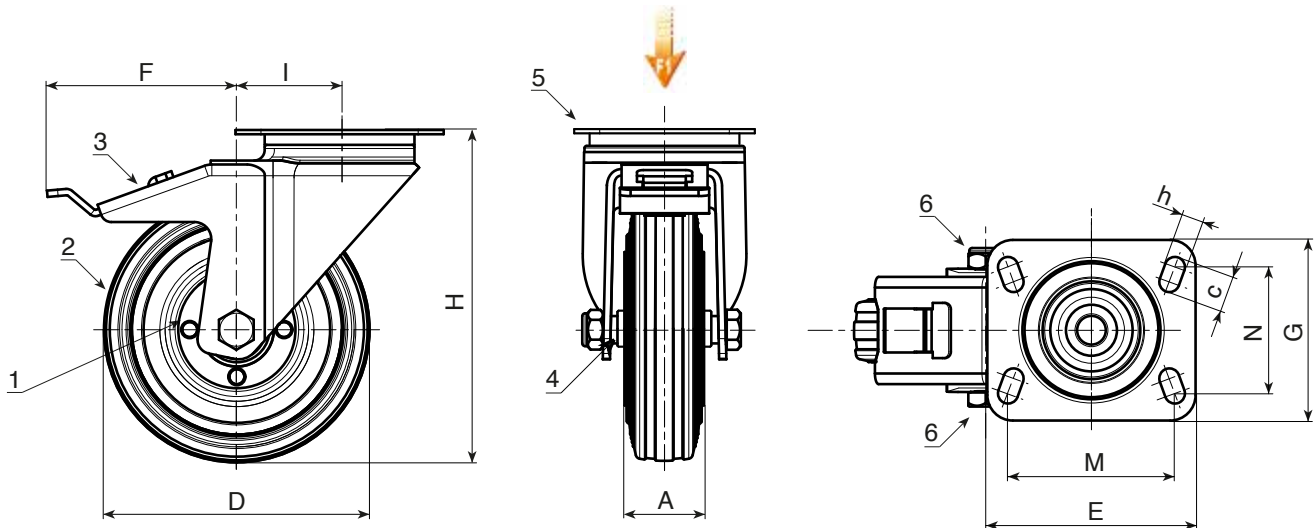
Steel rotating assembly with double ball race, and rectangular swivel plate with four slotted mounting holes.

Wheel fastening (6):

Steel hex head screw, coupled with a steel nut.

Special requests:

- Upon request and for a minimum of 20 pieces, the wheel can be supplied with a needle roller cage, (replace code no. R308 with code no. R338).



Code	art.	D	A	H	I	E	G	M	N	c	h	F	g	F1 (Kg)
-	R308080.T25P080X060	80	25	108	32	95	80	80	60	12	9	110	669	50
-	R308100.T30P080X060	100	30	127	32	95	80	80	60	12	9	110	782	70
-	R308125.T37P080X060	125	37.5	155	32	95	80	80	60	12	9	113	1086	100
-	R308150.T37P080X060	150	37.5	183	35	100	80	80	60	12	9	115	-	140
-	R308180.T45P105X080	180	45	230	48	129	106	105	80	23	11	150	3068	180
-	R308200.T50P105X080	200	50	240	48	129	106	105	80	23	11	150	2860	220