

R301



SHEET METAL RIM / RUBBER WHEEL WITH ROUND STEEL SWIVEL SUPPORT AND SMOOTH THROUGH HOLE

Materials:

Wheel body:

Two stamped sheet metal disks (steel DD13) riveted together to create a single body.

Tread:

Natural rubber trapezoidal tread. Hardness 85 ± 4 Shore A.

Surface finish:

Smooth.

Colour:

(2) Black (RAL 9011).

(1-3-4-5-6) Galvanised blue.

Wheel rotation:

The hole for the pivot pin is stamped in sheet metal. A black polyamide insert is positioned between the pin and the hole for protection.

Bracket (3):

Steel fork (DD13).

Rotating assembly (5):

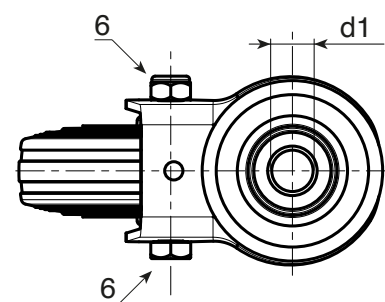
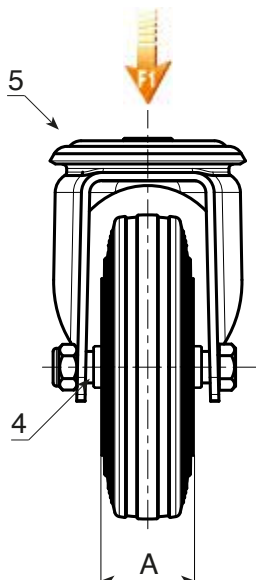
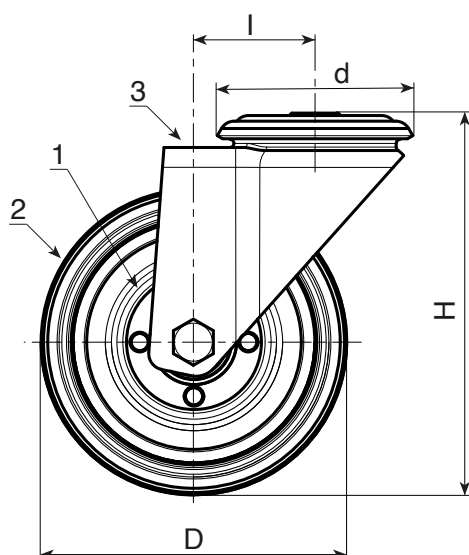
Steel rotating assembly with double ball race and smooth fixing hole, (hole tolerance H7).

Wheel fastening (6):

Steel hex head screw, coupled with a steel nut.

Special requests:

- Upon request and for a minimum of 20 pieces, the wheel can be supplied with a needle roller cage, (replace code no. R301 with code no. R331).



Code	art.	D	A	H	l	d	d1H7	\bar{g}	F1 (Kg)
-	R301080.T25D12	80	25	108	32	64	12	550	50
-	R301100.T30D12	100	30	127	32	64	12	672	70
-	R301125.T37D12	125	37.5	155	32	64	12	741	100
-	R301150.T37D12	150	37.5	183	35	65	12	-	140
-	R301180.T45D16	180	45	230	48	95	16	-	180
-	R301200.T50D16	200	50	240	48	95	16	2919	200