

# R278



## ALUMINIUM / POLYURETHANE WHEEL WITH RECTANGULAR SWIVEL STEEL PLATE - WITH BRAKE AND BEARINGS

### Materials:

#### Wheel body (1):

Die-cast aluminium alloy.

#### Tread (2):

Mould-on polyurethane. Hardness  $94 \pm 2$  Shore A.

### Surface finish:

Smooth.

### Colour:

(1) Natural aluminium.

(2) Light brown.

(3-4-5-6) Galvanised blue.

### Wheel rotation (4):

A pair of steel ball bearings is inserted in the wheel hub to provide excellent rollability.

### Bracket (3):

Extra-thick steel (DD13) fork, with integrated brake.

### Rotating assembly (5):

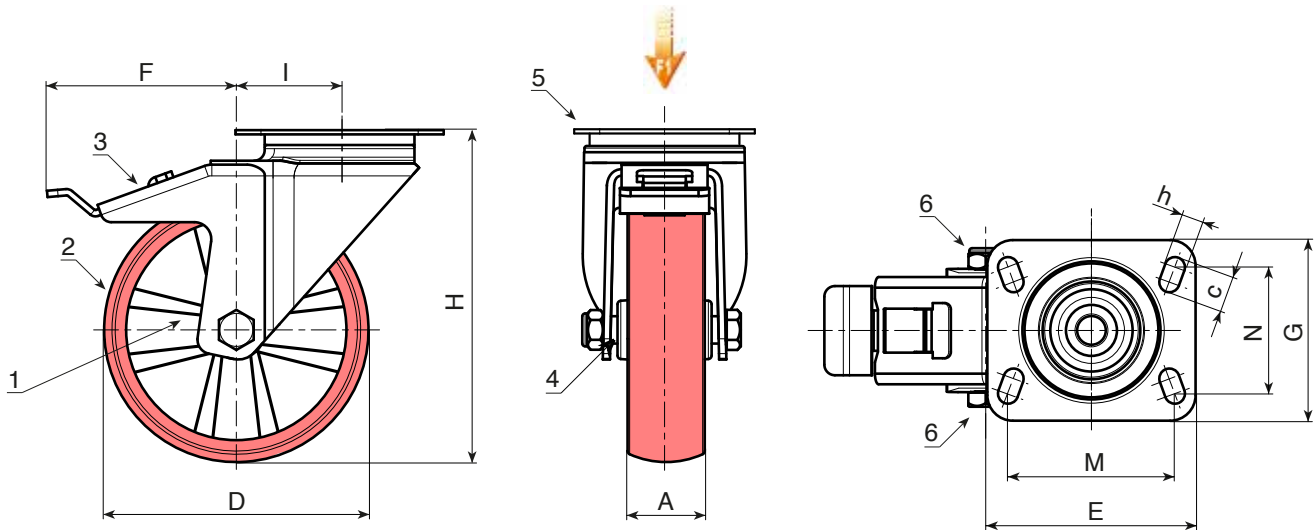
Steel rotating assembly with double ball race, assembled with steel screw grade 8.8 and rectangular swivel plate with four slotted mounting holes.

### Wheel fastening (6):

Steel hex head screw, coupled with a self-locking steel nut.

### Special requests:

- None.



Code	art.	D	A	H	I	E	G	M	N	c	h	F	g	F1 (Kg)
-	R278080.T25P080X060	80	25	108	32	100	84	80	60	12	9	114	-	150
-	R278100.T30P080X060	100	30	127	33	100	80	80	60	12	9	117	-	180
-	R278125.T30P080X060	125	30	155	39	100	80	80	60	12	9	123	-	180
-	R278150.T40P105X080	150	40	186	47	133	106	105	80	23	12	144	-	300
-	R278200.T50P105X080	200	50	240	56	132	110	105	80	23	12	157	-	300