

# R201



## POLYAMIDE / POLYURETHANE WHEEL WITH ROUND STEEL SWIVEL SUPPORT AND SMOOTH THROUGH HOLE

### Materials:

#### Wheel body (1):

Polyamide. Resistant to oils and greases.

#### Tread (2):

Injected polyurethane. Hardness  $60 \pm 5$  Shore D.

#### Surface finish:

Smooth.

#### Colour:

(1) Natural white.

(2) Red (Ral 3013).

(3-4-5-6) Galvanised blue.

#### Wheel rotation (4):

The hole for the pivot pin is formed by plastic moulding. A galvanised steel tube is positioned between the stud and the hole for protection.

#### Bracket (3):

Steel fork (DD13).

#### Rotating assembly (5):

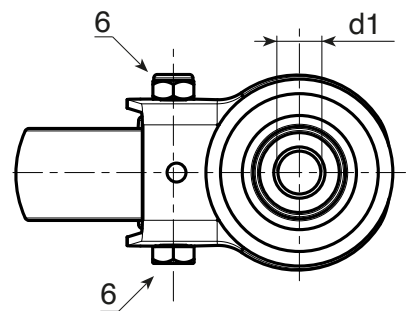
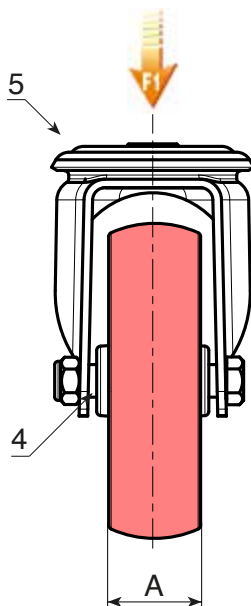
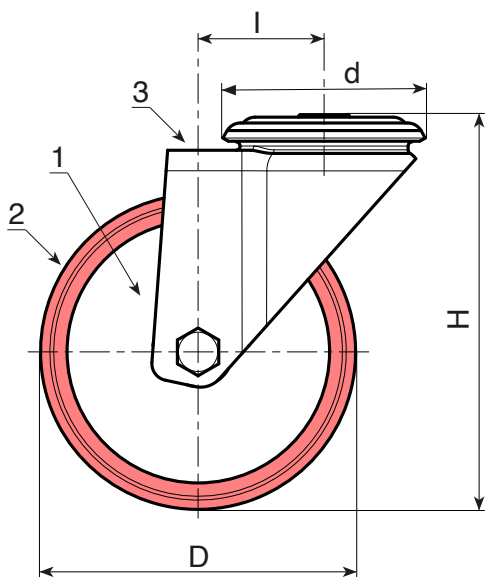
Steel rotating assembly with double ball race and smooth fixing hole, (hole tolerance H7).

#### Wheel fastening (6):

Steel hex head screw, coupled with a steel nut.

#### Special requests:

- Upon request and for a minimum of 20 pieces, the wheel can be supplied with a needle roller cage, (replace code no. R201 with code no. R231).



Code	art.	D	A	H	I	d	d1H7	$\bar{g}$	F1(Kg)
-	R201080.T30D12	80	30	108	32	64	12	486	100
-	R201100.T30D12	100	30	127	32	64	12	1170	130
-	R201125.T35D12	125	35	155	32	64	12	772	130
-	R201150.T40D12	150	40	184	35	65	12	-	140
-	R201200.T50D16	200	50	240	48	95	16	1934	270