

R159



POLYAMIDE MONOLITHIC WHEEL WITH RIGID STEEL FORK WITH BEARING (HEAVY DUTY)

Materials:

Wheel body (1):

Polyamide. Resistant to oils and greases.

Tread (2):

Polyamide. Resistant to oils and greases.

Surface finish:

Smooth.

Colour:

(1-2) Natural white.

(3-4-5-6) Galvanised blue.

Wheel rotation (4):

A pair of steel ball bearings is inserted to provide excellent rollability.

Bracket (3):

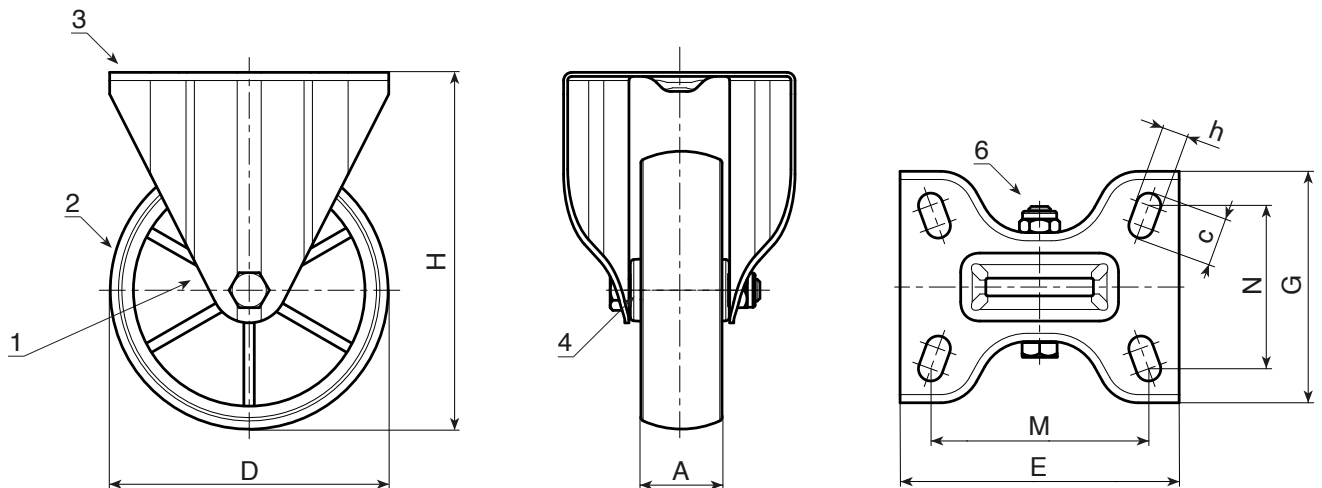
Extra-thick steel (DD13) fork, with mounting holes in the base.

Wheel fastening (6):

Steel hex head screw, coupled with a self-locking steel nut.

Special requests:

- Upon request and for a minimum of 20 pieces, the wheel can be supplied with a needle roller cage, (replace code no. R159 with code no. R149).



| Code | art. | D | A | H | E | G | M | N | c | h | g | F1 (Kg) |
|------|---------------------|-----|----|-----|-----|-----|-----|----|----|----|---|---------|
| - | R159100.T35P080X060 | 100 | 35 | 135 | 100 | 88 | 80 | 60 | 12 | 9 | - | 370 |
| - | R159125.T35P080X060 | 125 | 35 | 161 | 100 | 88 | 80 | 60 | 12 | 9 | - | 380 |
| - | R157125.T45P105X080 | 125 | 45 | 164 | 134 | 114 | 105 | 80 | 23 | 12 | - | 600 |
| - | R159150.T40P105X080 | 150 | 40 | 188 | 134 | 111 | 105 | 80 | 23 | 12 | - | 330 |
| - | R159150.T45P105X080 | 150 | 45 | 195 | 134 | 114 | 105 | 80 | 23 | 12 | - | 600 |
| - | R159200.T50P105X080 | 200 | 50 | 242 | 134 | 114 | 105 | 80 | 23 | 12 | - | 600 |