

R158



POLYAMIDE MONOLITHIC WHEEL WITH RECTANGULAR SWIVEL STEEL PLATE WITH BEARING - WITH BRAKE (HEAVY DUTY)

Materials:

Wheel body (1):

Polyamide. Resistant to oils and greases.

Tread (2):

Polyamide. Resistant to oils and greases.

Surface finish:

Smooth.

Colour:

(1-2) Natural white.

(3-4-5-6) Galvanised blue.

Wheel rotation (4):

A pair of steel ball bearings is inserted to provide excellent rollability.

Bracket (3):

Extra-thick steel (DD13) fork, with integrated brake.

Rotating assembly (5):

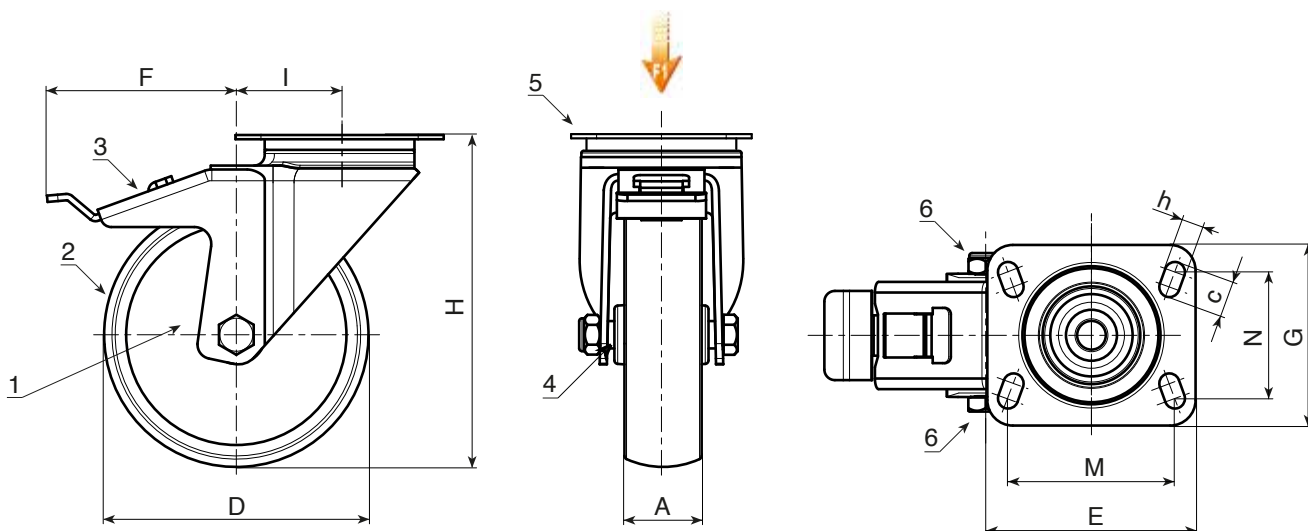
Steel rotating assembly with double ball race, assembled with steel screw grade 8.8 and rectangular swivel plate with four slotted mounting holes.

Wheel fastening (6):

Steel hex head screw, coupled with a self-locking steel nut.

Special requests:

- Upon request and for a minimum of 20 pieces, the wheel can be supplied with a needle roller cage, (replace code no. R158 with code no. R148).



Code	art.	D	A	H	I	E	G	M	N	c	h	F	g	F1 (Kg)
-	R158100.T35P080X060	100	35	135	47	100	84	80	60	12	9	99	-	370
-	R158125.T35P080X060	125	35	161	51	100	84	80	60	12	9	100	-	380
-	R158125.T45P105X080	125	45	164	61	132	110	105	80	23	12	104	-	600
-	R158150.T40P105X080	150	40	188	45	132	110	105	80	23	12	108	-	330
-	R158150.T45P105X080	150	45	195	60	132	110	105	80	23	12	107	-	600
-	R158200.T50P105X080	200	50	242	59	132	110	105	80	23	12	109	-	600