

R102



POLYAMIDE MONOLITHIC WHEEL WITH ROUND STEEL SWIVEL SUPPORT AND SMOOTH THROUGH HOLE WITH BRAKE

Materials:

Wheel body (1):

Polyamide. Resistant to oils and greases.

Tread (2):

Polyamide. Resistant to oils and greases.

Surface finish:

Smooth.

Colour:

(1-2) Natural white.

(3-4-5-6) Galvanised blue.

Wheel rotation (4):

The hole for the pivot pin is formed by plastic moulding. A galvanised steel tube is positioned between the stud and the hole for protection.

Bracket (3):

Steel fork (DD13), with integrated brake.

Rotating assembly (5):

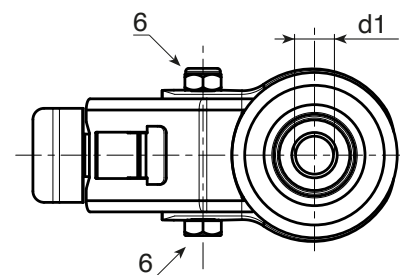
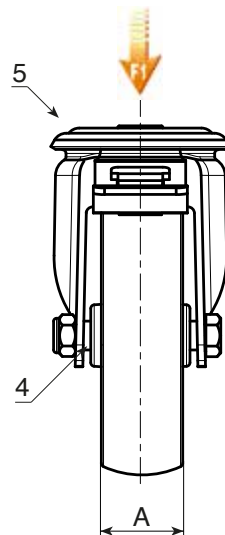
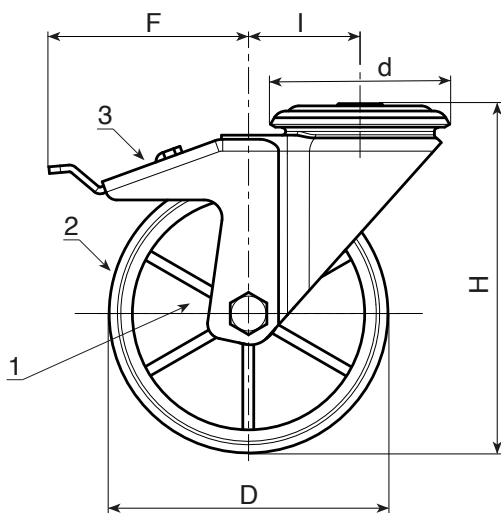
Steel rotating assembly with double ball race and smooth fixing hole, (hole tolerance H7).

Wheel fastening (6):

Steel hex head screw, coupled with a steel nut.

Special requests:

- Upon request and for a minimum of 20 pieces, the wheel can be supplied with a needle roller cage, (replace code no. R102 with code no. R132).



Code	art.	D	A	H	I	d	F	d1H7	g	F1 (Kg)
-	R102080.T30D12	80	30	108	32	64	110	12	531	100
-	R102100.T30D12	100	30	127	32	64	110	12	512	130
-	R102125.T39D12	125	39	155	32	64	113	12	802	130
-	R102150.T40D12	150	40	184	35	65	115	12	-	140
-	R102175.T45D16	175	45	228	48	95	150	16	-	270
-	R102200.T50D16	200	50	240	48	95	150	16	2256	270