

R101CIN

INOX

max
4 Km/h

+80°
-25°

PA6

UL94
HB

RoHS
COMPLIANT

POLYAMIDE MONOLITHIC WHEEL WITH ROUND STAINLESS STEEL SWIVEL SUPPORT AND SMOOTH THROUGH HOLE

Materials:

Wheel body (1):

Polyamide. Resistant to oils and greases.

Tread (2):

Polyamide. Resistant to oils and greases.

Surface finish:

Smooth.

Colour:

(1-2) Natural white.
(3-4-5-6) Natural stainless steel.

Wheel rotation (4):

The hole for the pivot pin is formed by plastic moulding. A stainless steel (Aisi 304) tube is positioned between the stud and the hole for protection.

Bracket (3):

Stainless steel (Aisi 304) fork.

Rotating assembly (5):

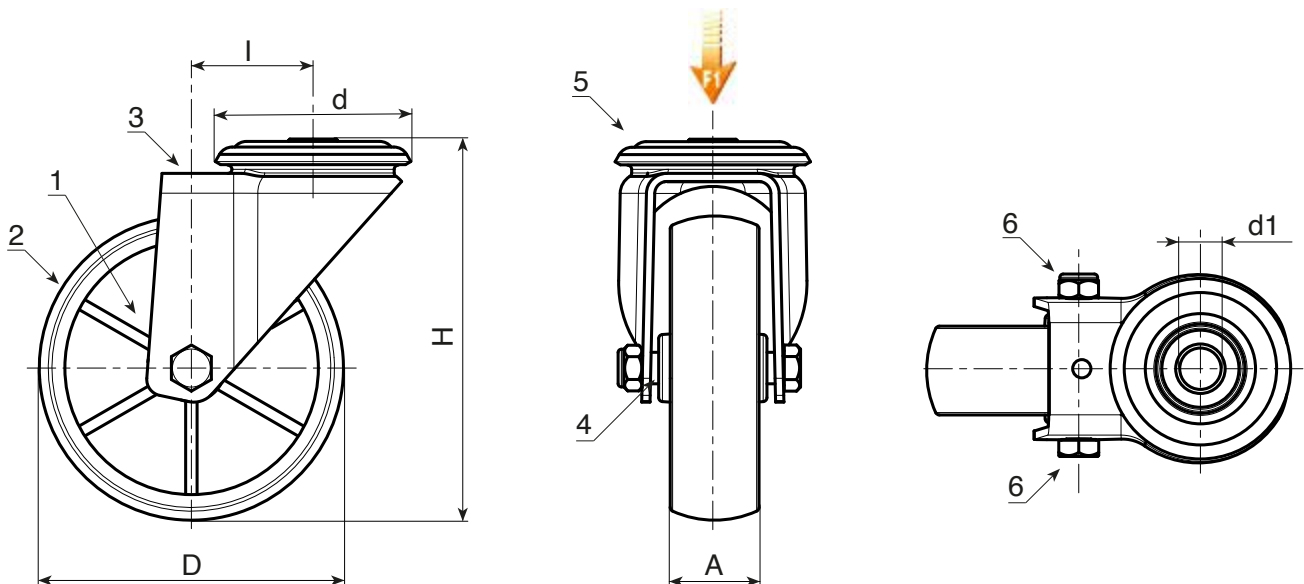
Stainless steel (Aisi 304) rotating assembly with double stainless steel (Aisi 420) ball race and smooth fixing hole, (hole tolerance H7).

Wheel fastening (6):

Stainless steel (Aisi 304) hex head bolt, coupled with a stainless steel (Aisi 304) nut.

Special requests:

- Upon request and for a minimum of 20 pieces, the wheel can be supplied with a needle roller cage, (replace code no. R101CIN with code no. R131CIN).



INOX

| Code | art. | D | A | H | I | d | d1H7 | g | F1 (Kg) |
|------|-------------------|-----|----|-----|----|----|------|-----|---------|
| - | R101080.T30D12CIN | 80 | 30 | 108 | 32 | 64 | 12 | 340 | 100 |
| - | R101100.T30D12CIN | 100 | 30 | 127 | 32 | 64 | 12 | 522 | 130 |
| - | R101125.T39D12CIN | 125 | 39 | 155 | 32 | 64 | 12 | 513 | 130 |
| - | R101150.T40D12CIN | 150 | 40 | 184 | 35 | 65 | 12 | - | 140 |
| - | R101175.T45D16CIN | 175 | 45 | 228 | 48 | 95 | 16 | - | 300 |
| - | R101200.T50D16CIN | 200 | 50 | 240 | 48 | 95 | 16 | - | 300 |