

R100

POLYAMIDE MONOLITHIC WHEEL (WITHOUT RIG)



Materials:

Wheel body:

Polyamide. Resistant to oils and greases.

Tread:

Polyamide. Resistant to oils and greases.

Surface finish:

Smooth.

Colour:

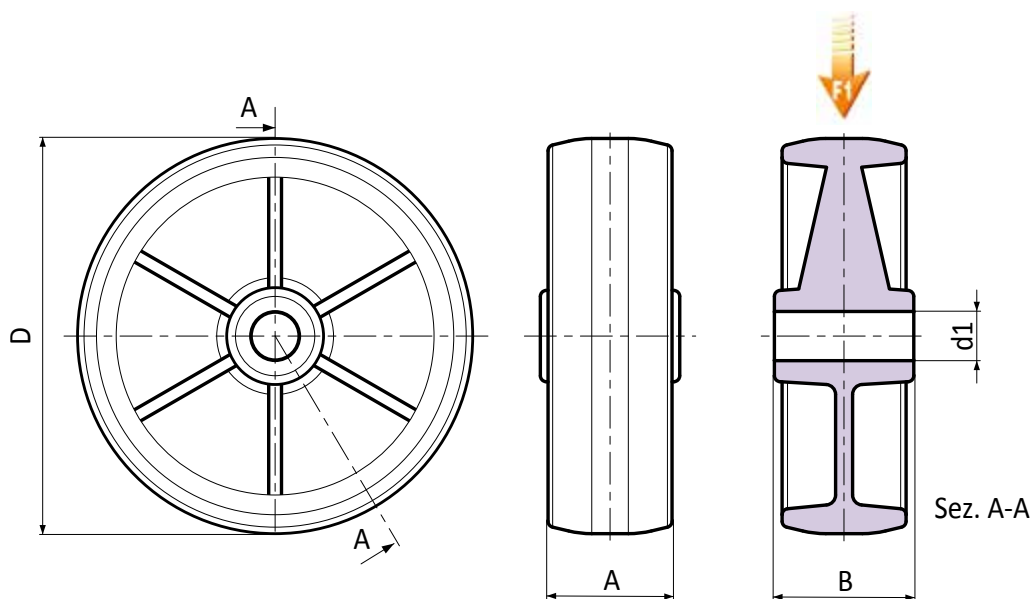
Natural white.

Wheel rotation:

The hole for the pivot pin is formed by plastic moulding.

Special requests:

- Upon request and for a minimum of 20 pieces, the wheel can be supplied with a needle roller cage, (replace code no. R100 with code no. R130).



Code	art.	D	A	B	d1	g	F1 (Kg)
-	R100080.T30D12	80	30	39	12	60	100
-	R100100.T30D12	100	30	39	12	96	130
-	R100125.T39D15	125	39	44	15	206	200
-	R100150.T40D20	150	40	45	20	300	250
-	R100175.T45D20	175	45	58	20	488	300
-	R100200.T50D20	200	50	58	20	576	380