

Q284



4-LOBE WASHER WITH THROUGH-HOLE INSERT AND CENTRAL CAP

Materials:

Reinforced polyamide. Resistant to oils and greases.

Surface finish:

Satin.

Colour:

Black (RAL 9011).

Central cap:

Grey polyamide (RAL 7035). 13).

Alternative cap colours:

Orange (RAL 2004 code 02).
Blue (RAL 5015 code 07).
Yellow (RAL 1021 code 10).
Green (RAL 6024 code 17).
Red (RAL 3000 code 16).
Black (RAL 9011 code 01).

Inserts:

Version Q284 TM:

Brass insert with threaded through hole (thread tolerance 6H).

Version Q284 TQ:

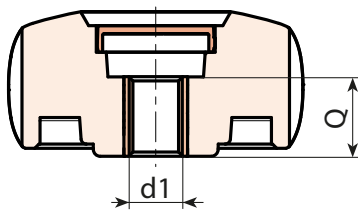
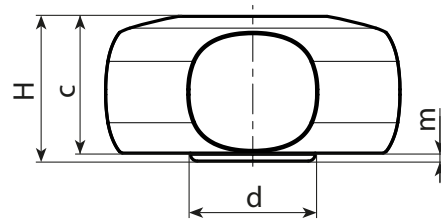
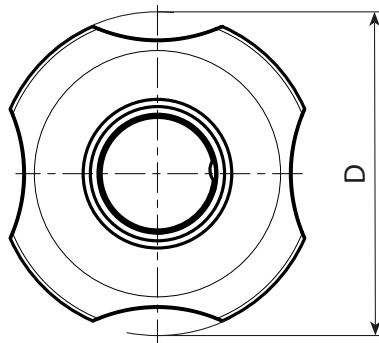
Brass insert with square through bore (bore tolerance H7).

Version Q284 TQ-PP:

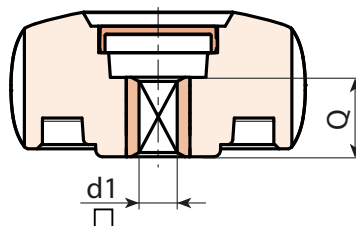
Without insert, with smooth through square hole obtained by moulding the plastic.

Special requests:

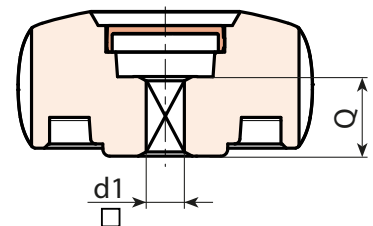
- Upon request and for special quantities inserts can be supplied in different materials.
- Upon request and for special quantities available in the colours indicated in the chart [page].



TM



TQ



TQ-PP

Q284

4-LOBE WASHER WITH THROUGH-HOLE INSERT AND CENTRAL CAP



Version Q284 TM: With brass insert and threaded through hole

Code	art.	D	H	d	d2	d3	c	m	d1 _{6H}	Q	g
-	Q28440.TM0801P	40.5	20	17	18	13	19	1	M8	15	-
-	Q28440.TM1001P	40.5	20	17	18	13	19	1	M10	15	-
-	Q28450.TM0801P	49	23	20	20	15	22	1	M8	15	-
-	Q28460.TM1001P	59	27	23	22	18	22,5	1,5	M10	15	-
-	Q28460.TM1201P	59	27	23	22	18	22,5	1,5	M12	15	-
-	Q28480.TM1001P	79	26	30,5	22	20	24	2	M10	15	-
-	Q28480.TM1201P	79	26	30,5	22	20	24	2	M12	15	-

Version Q284 TQ: With brass insert and SQUARE hole

Code	art.	D	H	d	d2	d3	c	m	d1 _{H7}	Q	g
-	Q28440.TQ0601P	40.5	20	17	18	13	19	1	6	15	-
-	Q28450.TQ0601P	49	23	20	20	15	22	1	6	15	-
-	Q28450.TQ0701P	49	23	20	20	15	22	1	7	15	-
-	Q28460.TQ0601P	59	27	23	22	18	22,5	1,5	6	15	-
-	Q28460.TQ0701P	59	27	23	22	18	22,5	1,5	7	15	-
-	Q28460.TQ0801P	59	27	23	22	18	22,5	1,5	8	15	-
-	Q28480.TQ0701P	79	26	30,5	22	20	24	2	7	15	-
-	Q28480.TQ0801P	79	26	30,5	22	20	24	2	8	15	-
-	Q28480.TQ0901P	79	26	30,5	22	20	24	2	9	15	-
-	Q28480.TQ1001P	79	26	30,5	22	20	24	2	10	15	-

Version Q284 TQ-PP: With SQUARE hole in the plastic

Code	art.	D	H	d	d2	d3	c	m	d1 _{+0,1}	Q	g
-	Q28440.TQ0601PP	40.5	20	17	18	13	19	1	6	15	-
-	Q28450.TQ0601PP	49	23	20	20	15	22	1	6	15	-
-	Q28450.TQ0701PP	49	23	20	20	15	22	1	7	15	-
-	Q28460.TQ0601PP	59	27	23	22	18	22,5	1,5	6	15	-
-	Q28460.TQ0701PP	59	27	23	22	18	22,5	1,5	7	15	-
-	Q28460.TQ0801PP	59	27	23	22	18	22,5	1,5	8	15	-
-	Q28480.TQ0701PP	79	26	30,5	22	20	24	2	7	15	-
-	Q28480.TQ0801PP	79	26	30,5	22	20	24	2	8	15	-
-	Q28480.TQ0901PP	79	26	30,5	22	20	24	2	9	15	-
-	Q28480.TQ1001PP	79	26	30,5	22	20	24	2	10	15	-