

# Q263

## KNURLED WASHER



PA6  
+G.F.

UL94  
HB



### Materials:

Reinforced polyamide.  
Resistant to oils and greases.

### Surface:

Satin.

### Colour:

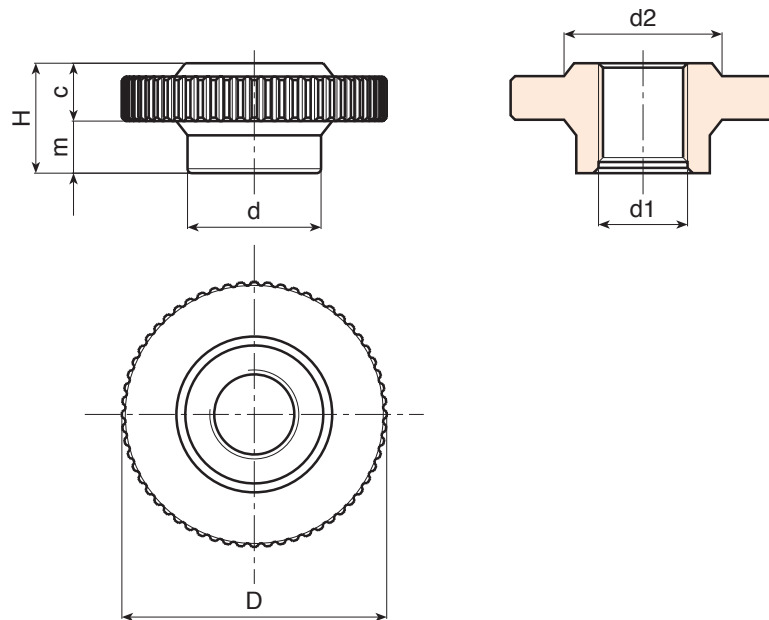
Black (RAL 9011).

### Hole:

Threaded through hole obtained by moulding the plastic  
(tolerance not applicable).

### Special Requests:

- Upon request and for special quantities hole d1 can be supplied to customer's drawing.



Code	art.	D	H	d	c	m	d2	d1	g
-	Q26360.TM2001P	60	25	30	12	13	35	M20	38
-	Q26360.TM2401P	60	25	30	12	13	35	M24	35