

Q262

KNURLED WASHER

+135°
-30°

PA6
+G.F.

UL94
HB

RoHS
COMPLIANT

Materials:

Reinforced polyamide.
Resistant to oils and greases.

Surface:

Satin.

Colour:

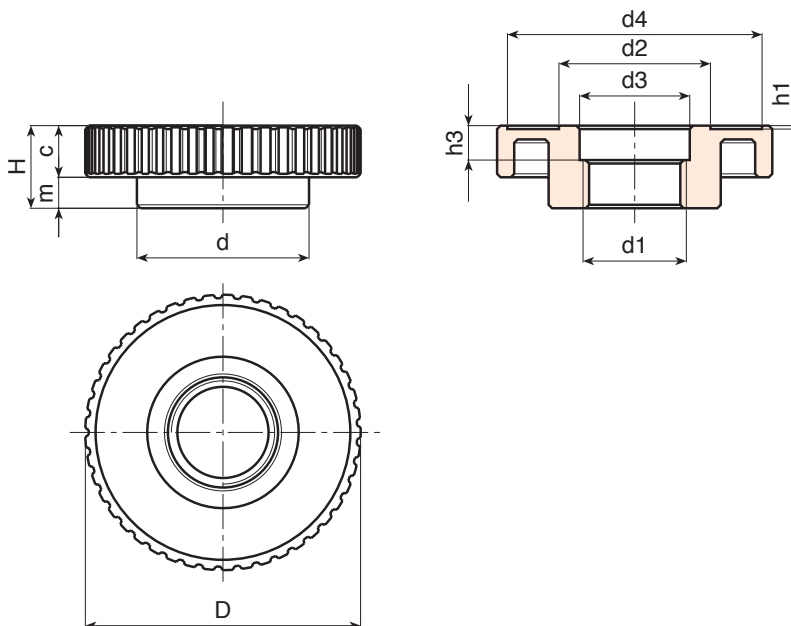
Black (RAL 9011).

Hole:

Threaded through hole obtained by moulding the plastic
(tolerance not applicable).

Special Requests:

- Upon request and for special quantities hole d1 can be supplied to customer's drawing.



Code	art.	D	H	d	c	m	h1	h3	d2	d3	d4	d1	
-	Q26280.TB3001P	81	24	50	14.5	9.5	1	10	43.5	32	74	M30x1,5	65