

# PIE.80-105-130 UPDATE



## MOUNTING FOOT BASE WITH GROUND FIXING (80-105-130)

### Materials:

#### PIE.80-105-130:

Reinforced polyamide. Resistant to oils and greases.

#### PIE.80-105-130ESD:

Reinforced polyamide, with conductive fillers (ESD-C). Resistant to oils and greases.

### Surface finish:

Satin.

### Colour:

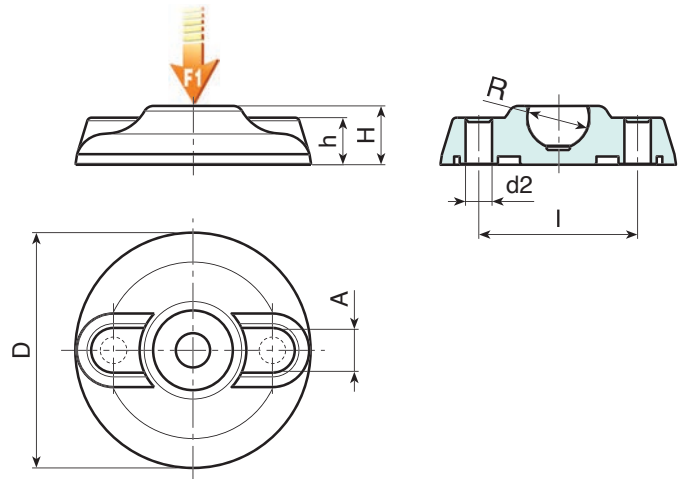
Black (RAL 9011).

### Ground fixing:

The mounting foot is supplied with closed holes for anchoring to the ground. To open them pierce the plastic membrane (see drawing).

### Special requests:

- PIE.80-105-130: Upon request and for special quantities the foot can be supplied in Orange (RAL 2004).
- PIE.80-105-130ESD: None.



Notes: This item is made from ESD-C (Electro Static Discharge - Conductive) material with fillers in compliance with standards EN 100015/1 and IEC 61340-5-1. The product is conductive and prevents the formation of electrostatic discharges by facilitating its grounding. A yellow pad-printed symbol (ESD-C) enables correct identification of the product. Product suitable for the production of electronic material and for use in explosive atmospheres.

### Standard version

Code	Art.	D	H	R	g	F1 (N)
PIE.080S12.4	PIE.080S12.4	80	20	12,4	49	10
PIE.080S15	PIE.080S15	80	20	15	45	13
PIE.080S24	PIE.080S24	80	20	24	47,5	25
PIE.105S15	PIE.105S15	105	22	15	99	15
PIE.105S24	PIE.105S24	105	22	24	97	25
PIE.130S15	PIE.130S15	130	24	15	165	17
PIE.130S24	PIE.130S24	130	24	24	163	25

### Version ESD

Code	Art.	D	H	R	g	F1 (N)
PIE.080S12.4ESD	PIE.080S12.4ESD	80	20	12,4	49	10
PIE.080S15ESD	PIE.080S15ESD	80	20	15	45	13
PIE.080S24ESD	PIE.080S24ESD	80	20	24	47,5	25
PIE.105S15ESD	PIE.105S15ESD	105	22	15	99	15
PIE.105S24ESD	PIE.105S24ESD	105	22	24	97	25
PIE.130S15ESD	PIE.130S15ESD	130	24	15	165	17
PIE.130S24ESD	PIE.130S24ESD	130	24	24	163	25