

P917



MOUNTING FOOT WITH GROUND FIXING AND STEEL ARTICULATED STEM TYPE B - BALL R15 AND NON-SLIP BASE

Materials:

Reinforced polyamide. Resistant to oils and greases.

Surface finish:

Satin.

Colour:

Black (RAL 9011).

Inserts:

P917:

Galvanised steel threaded and articulated stem (ball R.15) with milled seat for wrench (type B) (thread tolerance 6g).

P917CIN:

Stainless steel threaded and articulated stem (ball R.15) with milled seat for wrench (type B) (Aisi 303) (thread tolerance 6g).

Non-slip base:

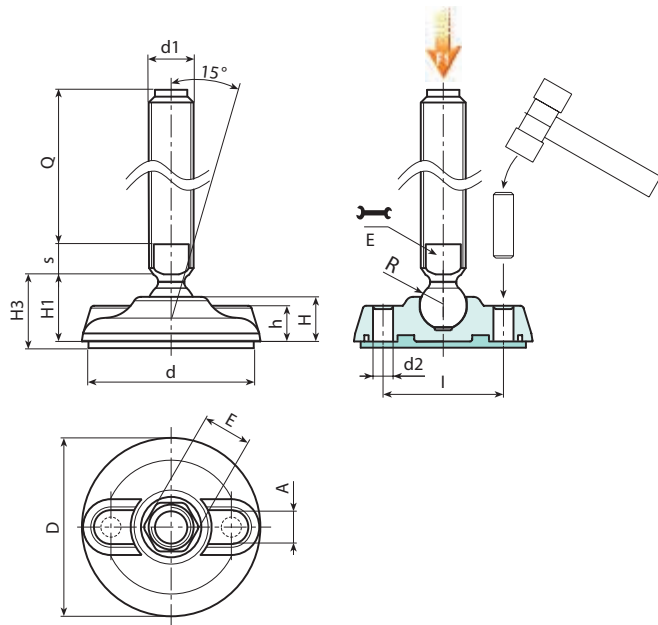
Non-slip base in thermoplastic rubber SBS 75 Shore, black RAL 9011. Resistant to oils and greases. Push-fit assembly.

Ground fixing:

The mounting foot is supplied with closed holes for anchoring to the ground. To open them pierce the plastic membrane (see drawing).

Special requests:

- Upon request and for special quantities inserts can be supplied with customised lengths.
- Upon request and for special quantities the foot can be supplied in Orange (RAL 2004).



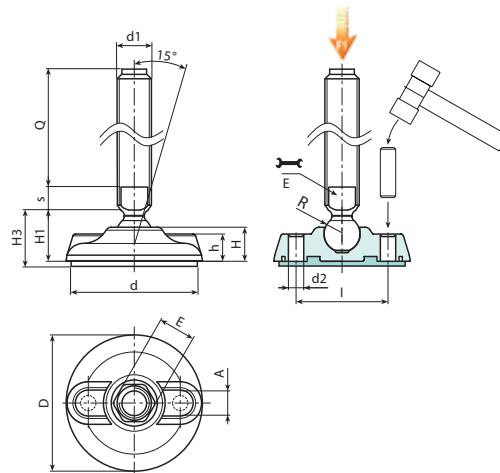
Version P917: Mounting foot with stem type B (with milled seat for wrench) and ball R15 - with SBS non-slip base

Code	Art.	D	H	I	H1	H3	h	A	E	s	d2	d	R	d1 _{6g}	Q		F1 (kN)
-	P917080.TM20X5001	80	20	54	25.5	28.5	16	20	16	7	9	75	15	M20	50	191	17
-	P917080.TM20X7001	80	20	54	25.5	28.5	16	20	16	7	9	75	15	M20	70	231	17
-	P917080.TM20X9001	80	20	54	25.5	28.5	16	20	16	7	9	75	15	M20	90	271	17
-	P917080.TM20X11001	80	20	54	25.5	28.5	16	20	16	7	9	75	15	M20	110	311	17
-	P917080.TM20X13001	80	20	54	25.5	28.5	16	20	16	7	9	75	15	M20	130	351	17
-	P917080.TM20X15001	80	20	54	25.5	28.5	16	20	16	7	9	75	15	M20	150	391	17
-	P917080.TM20X17001	80	20	54	25.5	28.5	16	20	16	7	9	75	15	M20	170	431	17
-	P917080.TM20X19001	80	20	54	25.5	28.5	16	20	16	7	9	75	15	M20	190	470	17
-	P917080.TM20X21001	80	20	54	25.5	28.5	16	20	16	7	9	75	15	M20	210	510	17
-	P917105.TM20X5001	105	22	74	28	32	18.5	21	16	7	11	101	15	M20	50	285	17
-	P917105.TM20X7001	105	22	74	28	32	18.5	21	16	7	11	101	15	M20	70	325	17
-	P917105.TM20X9001	105	22	74	28	32	18.5	21	16	7	11	101	15	M20	90	365	17
-	P917105.TM20X11001	105	22	74	28	32	18.5	21	16	7	11	101	15	M20	110	405	17
-	P917105.TM20X13001	105	22	74	28	32	18.5	21	16	7	11	101	15	M20	130	445	17
-	P917105.TM20X15001	105	22	74	28	32	18.5	21	16	7	11	101	15	M20	150	485	17
-	P917105.TM20X17001	105	22	74	28	32	18.5	21	16	7	11	101	15	M20	170	525	17
-	P917105.TM20X19001	105	22	74	28	32	18.5	21	16	7	11	101	15	M20	190	565	17
-	P917105.TM20X21001	105	22	74	28	32	18.5	21	16	7	11	101	15	M20	210	605	17
-	P917130.TM20X5001	130	24	99	30	35	20	21	16	7	13	126	15	M20	50	396	17

P917



MOUNTING FOOT WITH GROUND FIXING AND STEEL ARTICULATED STEM TYPE B - BALL R15 AND NON-SLIP BASE



Code	Art.	D	H	I	H1	H3	h	A	E	s	d2	d	R	d1 _{6g}	Q	g	F1 (kN)
-	P917130.TM20X7001	130	24	99	30	35	20	21	16	7	13	126	15	M20	70	436	17
-	P917130.TM20X9001	130	24	99	30	35	20	21	16	7	13	126	15	M20	90	476	17
-	P917130.TM20X11001	130	24	99	30	35	20	21	16	7	13	126	15	M20	110	516	17
-	P917130.TM20X13001	130	24	99	30	35	20	21	16	7	13	126	15	M20	130	556	17
-	P917130.TM20X15001	130	24	99	30	35	20	21	16	7	13	126	15	M20	150	596	17
-	P917130.TM20X17001	130	24	99	30	35	20	21	16	7	13	126	15	M20	170	636	17
-	P917130.TM20X19001	130	24	99	30	35	20	21	16	7	13	126	15	M20	190	675	17
-	P917130.TM20X21001	130	24	99	30	35	20	21	16	7	13	126	15	M20	210	715	17
-	P917080.TM24X15001	80	20	54	25.5	28.5	16	20	19	7	9	75	15	M24	150	589	17
-	P917080.TM24X17001	80	20	54	25.5	28.5	16	20	19	7	9	75	15	M24	170	650	17
-	P917080.TM24X19001	80	20	54	25.5	28.5	16	20	19	7	9	75	15	M24	190	710	17
-	P917080.TM24X21001	80	20	54	25.5	28.5	16	20	19	7	9	75	15	M24	210	770	17
-	P917105.TM24X15001	105	22	74	28	32	18.5	21	19	7	11	101	15	M24	150	682	17
-	P917105.TM24X17001	105	22	74	28	32	18.5	21	19	7	11	101	15	M24	170	742	17
-	P917105.TM24X19001	105	22	74	28	32	18.5	21	19	7	11	101	15	M24	190	800	17
-	P917105.TM24X21001	105	22	74	28	32	18.5	21	19	7	11	101	15	M24	210	860	17
-	P917130.TM24X15001	130	24	99	30	35	20	21	19	7	13	126	15	M24	150	790	17
-	P917130.TM24X17001	130	24	99	30	35	20	21	19	7	13	126	15	M24	170	850	17
-	P917130.TM24X19001	130	24	99	30	35	20	21	19	7	13	126	15	M24	190	910	17
-	P917130.TM24X21001	130	24	99	30	35	20	21	19	7	13	126	15	M24	210	970	17

Attention: The expressed load limit F1 is lower than the break load by 30% and is intended as static.
Customised stud length available for a minimum of 100 pieces.

Version P917CIN: Mounting foot with stem type B - stainless steel - (with milled seat for wrench) and ball R15 - with SBS non-slip base

INOX

Code	Art.	D	H	I	H1	H3	h	A	E	s	d2	d	R	d1	Q	g	F1 (kN)
-	P917080.TM20X7001CIN	80	20	54	25.5	28.5	16	20	16	7	9	75	15	M20	70	231	17
-	P917080.TM20X9001CIN	80	20	54	25.5	28.5	16	20	16	7	9	75	15	M20	90	271	17
-	P917080.TM20X13001CIN	80	20	54	25.5	28.5	16	20	16	7	9	75	15	M20	130	351	17
-	P917080.TM20X15001CIN	80	20	54	25.5	28.5	16	20	16	7	9	75	15	M20	150	391	17
-	P917080.TM20X19001CIN	80	20	54	25.5	28.5	16	20	16	7	9	75	15	M20	190	470	17
-	P917080.TM20X21001CIN	80	20	54	25.5	28.5	16	20	16	7	9	75	15	M20	210	510	17
-	P917105.TM20X7001CIN	105	22	74	28	32	18.5	21	16	7	11	101	15	M20	70	325	17
-	P917105.TM20X9001CIN	105	22	74	28	32	18.5	21	16	7	11	101	15	M20	90	365	17
-	P917105.TM20X13001CIN	105	22	74	28	32	18.5	21	16	7	11	101	15	M20	130	445	17
-	P917105.TM20X15001CIN	105	22	74	28	32	18.5	21	16	7	11	101	15	M20	150	485	17
-	P917105.TM20X19001CIN	105	22	74	28	32	18.5	21	16	7	11	101	15	M20	190	565	17
-	P917105.TM20X21001CIN	105	22	74	28	32	18.5	21	16	7	11	101	15	M20	210	605	17
-	P917130.TM20X7001CIN	130	24	99	30	35	20	21	16	7	13	126	15	M20	70	436	17
-	P917130.TM20X9001CIN	130	24	99	30	35	20	21	16	7	13	126	15	M20	90	476	17
-	P917130.TM20X13001CIN	130	24	99	30	35	20	21	16	7	13	126	15	M20	130	556	17
-	P917130.TM20X15001CIN	130	24	99	30	35	20	21	16	7	13	126	15	M20	150	596	17
-	P917130.TM20X19001CIN	130	24	99	30	35	20	21	16	7	13	126	15	M20	190	675	17
-	P917130.TM20X21001CIN	130	24	99	30	35	20	21	16	7	13	126	15	M20	210	715	17
-	P917080.TM24X11001CIN	80	20	54	25.5	28.5	16	20	19	7	9	75	15	M24	110	469	17
-	P917080.TM24X15001CIN	80	20	54	25.5	28.5	16	20	19	7	9	75	15	M24	150	589	17
-	P917080.TM24X19001CIN	80	20	54	25.5	28.5	16	20	19	7	9	75	15	M24	190	710	17
-	P917105.TM24X11001CIN	105	22	74	28	32	18.5	21	19	7	11	101	15	M24	110	562	17
-	P917105.TM24X15001CIN	105	22	74	28	32	18.5	21	19	7	11	101	15	M24	150	682	17
-	P917105.TM24X19001CIN	105	22	74	28	32	18.5	21	19	7	11	101	15	M24	190	800	17