

# P915



## MOUNTING FOOT WITH GROUND FIXING AND STEEL ARTICULATED STEM TYPE A - BALL R12.4 AND NON-SLIP BASE

### Materials:

Reinforced polyamide. Resistant to oils and greases.

### Surface finish:

Satin.

### Colour:

Black (RAL 9011).

### Inserts:

**P915:**  
Galvanised steel threaded and articulated stem (ball R.12.4) with hexagonal base (thread tolerance 6g).

### P915CIN:

Stainless steel threaded and articulated stem (ball R.12.4) with hexagonal base (Aisi 303) (thread tolerance 6g).

### Non-slip base:

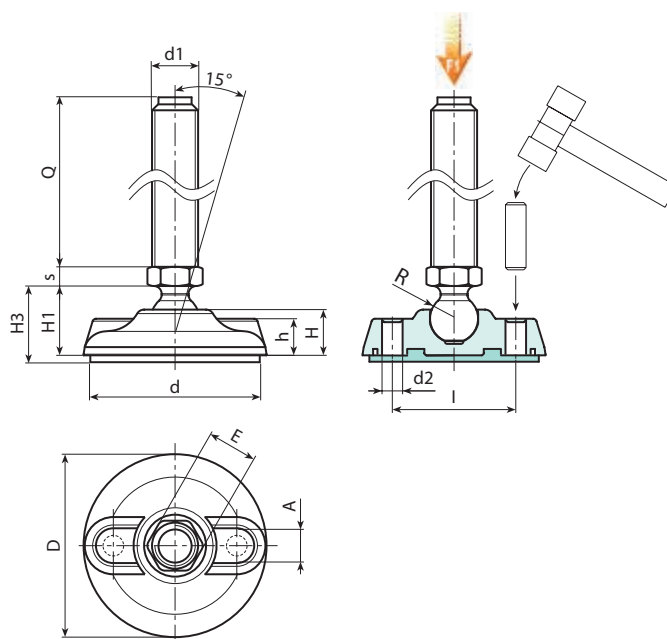
Non-slip base in thermoplastic rubber SBS 75 Shore, black RAL 9011. Resistant to oils and greases. Push-fit assembly.

### Ground fixing:

The mounting foot is supplied with closed holes for anchoring to the ground. To open them pierce the plastic membrane (see drawing).

### Special requests:

- Upon request and for special quantities inserts can be supplied with customised lengths.
- Upon request and for special quantities the foot can be supplied in Orange (RAL 2004).



### Version P915: Mounting foot with stem type A (with hexagonal base) and ball R12.4 - with SBS non-slip base

Code	Art.	D	H	I	H1	H3	h	A	E	s	d2	d	R	d1 <sub>6g</sub>	Q		F1 (kN)
-	P915080.TM08X4501	80	20	54	25.5	28.5	16	20	13	5	9	75	12.5	M8	45	91	10
-	P915080.TM08X7001	80	20	54	25.5	28.5	16	20	13	5	9	75	12.5	M8	70	97	10
-	P915080.TM10X4501	80	20	54	25.5	28.5	16	20	13	5	9	75	12.5	M10	45	97	10
-	P915080.TM10X7001	80	20	54	25.5	28.5	16	20	13	5	9	75	12.5	M10	70	109	10
-	P915080.TM10X10001	80	20	54	25.5	28.5	16	20	13	5	9	75	12.5	M10	100	146	10
-	P915080.TM12X4501	80	20	54	25.5	28.5	16	20	13	5	9	75	12.5	M12	45	107	10
-	P915080.TM12X7001	80	20	54	25.5	28.5	16	20	13	5	9	75	12.5	M12	70	124	10
-	P915080.TM12X10001	80	20	54	25.5	28.5	16	20	13	5	9	75	12.5	M12	100	168	10

Attention: The expressed load limit F1 is lower than the break load by 30% and is intended as static.

Customised stud length available for a minimum of 100 pieces.

### Version P915CIN: Mounting foot with stem type A - stainless steel - (with hexagonal base) and ball R12.4 - with SBS non-slip base



Code	Art.	D	H	I	H1	H3	h	A	E	s	d2	d	R	d1 <sub>6g</sub>	Q		F1 (kN)
-	P915080.TM08X4501	80	20	54	25.5	28.5	16	20	13	5	9	75	12.5	M8	45	91	10
-	P915080.TM08X7001	80	20	54	25.5	28.5	16	20	13	5	9	75	12.5	M8	70	97	10
-	P915080.TM10X4501	80	20	54	25.5	28.5	16	20	13	5	9	75	12.5	M10	45	97	10
-	P915080.TM10X7001	80	20	54	25.5	28.5	16	20	13	5	9	75	12.5	M10	70	109	10
-	P915080.TM10X10001	80	20	54	25.5	28.5	16	20	13	5	9	75	12.5	M10	100	146	10
-	P915080.TM12X4501	80	20	54	25.5	28.5	16	20	13	5	9	75	12.5	M12	45	107	10
-	P915080.TM12X7001	80	20	54	25.5	28.5	16	20	13	5	9	75	12.5	M12	70	124	10