

P911



MOUNTING FOOT WITH GROUND FIXING AND STEEL ARTICULATED STEM TYPE A - BALL R12.4

Materials:

Reinforced polyamide. Resistant to oils and greases.

Surface finish:

Satin.

Colour:

Black (RAL 9011).

Inserts:

P911: Galvanised steel threaded and articulated stem (ball R.12.4) with hexagonal base (thread tolerance 6g).

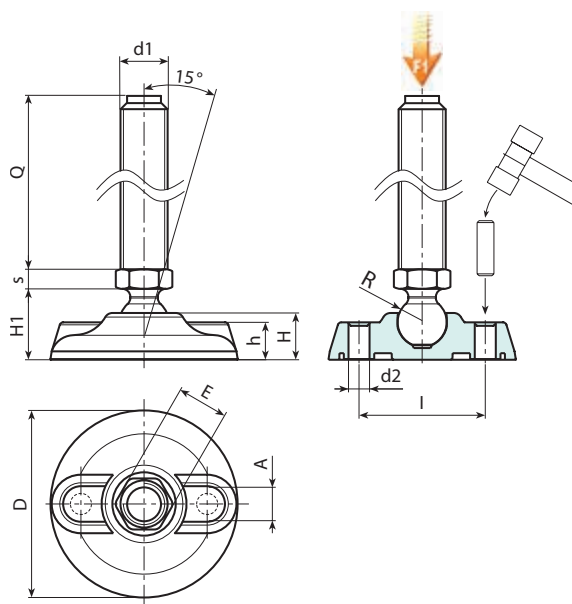
P911CIN: Stainless steel threaded and articulated stem (ball R.12.4) with hexagonal base (Aisi 303) (thread tolerance 6g).

Ground fixing:

The mounting foot is supplied with closed holes for anchoring to the ground. To open them pierce the plastic membrane (see drawing).

Special requests:

- Upon request and for special quantities inserts can be supplied with customised lengths.
- Upon request and for special quantities the foot can be supplied in Orange (RAL 2004).



Version P911: Mounting foot with stem type A (with hexagonal base) and ball R12.4

Code	Art.	D	H	I	H1	h	A	E	s	d2	R	d1 _{6g}	Q	g	F1 (kN)
-	P911080.TM08X4501	80	20	54	25.5	16	20	13	5	9	12.5	M8	45	66	10
-	P911080.TM08X7001	80	20	54	25.5	16	20	13	5	9	12.5	M8	70	73	10
-	P911080.TM10X4501	80	20	54	25.5	16	20	13	5	9	12.5	M10	45	74	10
-	P911080.TM10X7001	80	20	54	25.5	16	20	13	5	9	12.5	M10	70	86	10
-	P911080.TM10X10001	80	20	54	25.5	16	20	13	5	9	12.5	M10	100	123	10
-	P911080.TM12X4501	80	20	54	25.5	16	20	13	5	9	12.5	M12	45	84	10
-	P911080.TM12X7001	80	20	54	25.5	16	20	13	5	9	12.5	M12	70	101	10
-	P911080.TM12X10001	80	20	54	25.5	16	20	13	5	9	12.5	M12	100	145	10

Attention: The expressed load limit F1 is lower than the break load by 30% and is intended as static. Customised stud length available for a minimum of 100 pieces.

Version P911CIN: Mounting foot with stem type A (with hexagonal base) and ball R12.4 - stainless steel



Code	Art.	D	H	I	H1	h	A	E	s	d2	R	d1 _{6g}	Q	g	F1 (kN)
-	P911080.TM08X4501CIN	80	20	54	25.5	16	20	13	5	9	12.5	M8	45	66	10
-	P911080.TM08X7001CIN	80	20	54	25.5	16	20	13	5	9	12.5	M8	70	73	10
-	P911080.TM10X4501CIN	80	20	54	25.5	16	20	13	5	9	12.5	M10	45	74	10
-	P911080.TM10X7001CIN	80	20	54	25.5	16	20	13	5	9	12.5	M10	70	86	10
-	P911080.TM12X4501CIN	80	20	54	25.5	16	20	13	5	9	12.5	M12	45	84	10
-	P911080.TM12X7001CIN	80	20	54	25.5	16	20	13	5	9	12.5	M12	70	101	10
-	P911080.TM12X10001CIN	80	20	54	25.5	16	20	13	5	9	12.5	M12	100	145	10

Attention: The expressed load limit F1 is lower than the break load by 30% and is intended as static. Customised stud length available for a minimum of 100 pieces.

