

# P910



## SMALL MOUNTING FOOT WITH STEEL ARTICULATED STEM TYPE B - BALL R15 AND NON-SLIP BASE

### Materials:

Reinforced polyamide. Resistant to oils and greases.

### Surface finish:

Satin.

### Colour:

Black (RAL 9011).

### Inserts:

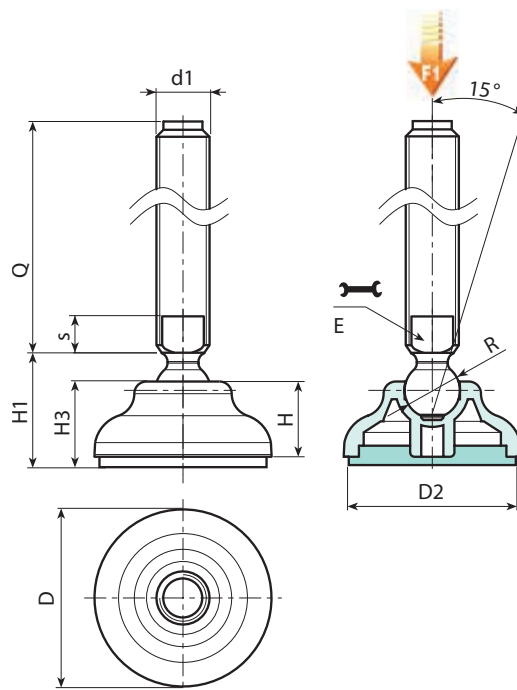
Galvanised steel threaded and articulated stem (ball R.15) with milled seat for wrench (type B) (thread tolerance 6g).

### Non-slip base:

Non-slip base in thermoplastic rubber SBS 75 Shore, black RAL 9011. Resistant to oils and greases. Push-fit assembly.

### Special requests:

- Upon request and for special quantities inserts can be supplied with customised lengths.
- Upon request and for special quantities the foot can be supplied in Orange (RAL 2004).



Version P910: Mounting foot with stem type B (with milled seat for wrench) and ball R15 - with SBS non-slip base

| Code | Art.              | D  | D2 | H  | H1 | H3 | E  | s | R  | d1 <sub>6g</sub> | Q   | $\bar{g}$ | F1 (kN) |
|------|-------------------|----|----|----|----|----|----|---|----|------------------|-----|-----------|---------|
| -    | P91060.TM20X5001  | 60 | 59 | 20 | 29 | 22 | 16 | 7 | 15 | M20              | 50  | 158       | 13      |
| -    | P91060.TM20X7001  | 60 | 59 | 20 | 29 | 22 | 16 | 7 | 15 | M20              | 70  | 198       | 13      |
| -    | P91060.TM20X9001  | 60 | 59 | 20 | 29 | 22 | 16 | 7 | 15 | M20              | 90  | 238       | 13      |
| -    | P91060.TM20X11001 | 60 | 59 | 20 | 29 | 22 | 16 | 7 | 15 | M20              | 110 | 280       | 13      |
| -    | P91060.TM20X13001 | 60 | 59 | 20 | 29 | 22 | 16 | 7 | 15 | M20              | 130 | 320       | 13      |
| -    | P91060.TM20X15001 | 60 | 59 | 20 | 29 | 22 | 16 | 7 | 15 | M20              | 150 | 360       | 13      |
| -    | P91060.TM20X17001 | 60 | 59 | 20 | 29 | 22 | 16 | 7 | 15 | M20              | 170 | 400       | 13      |
| -    | P91060.TM20X19001 | 60 | 59 | 20 | 29 | 22 | 16 | 7 | 15 | M20              | 190 | 440       | 13      |
| -    | P91060.TM20X21001 | 60 | 59 | 20 | 29 | 22 | 16 | 7 | 15 | M20              | 210 | 480       | 13      |

Attention: The expressed load limit F1 is lower than the break load by 30% and is intended as static. Customised stud length available for a minimum of 100 pieces.