

P908



SMALL MOUNTING FOOT WITH STEEL STEM TYPE A - BALL R15 AND NON-SLIP BASE

Materials:

Reinforced polyamide. Resistant to oils and greases.

Surface finish:

Satin.

Colour:

Black (RAL 9011).

Inserts:

Version P908:

Galvanised steel threaded and articulated stem (ball R.15) with hexagonal base (thread tolerance 6g).

Version P908CIN:

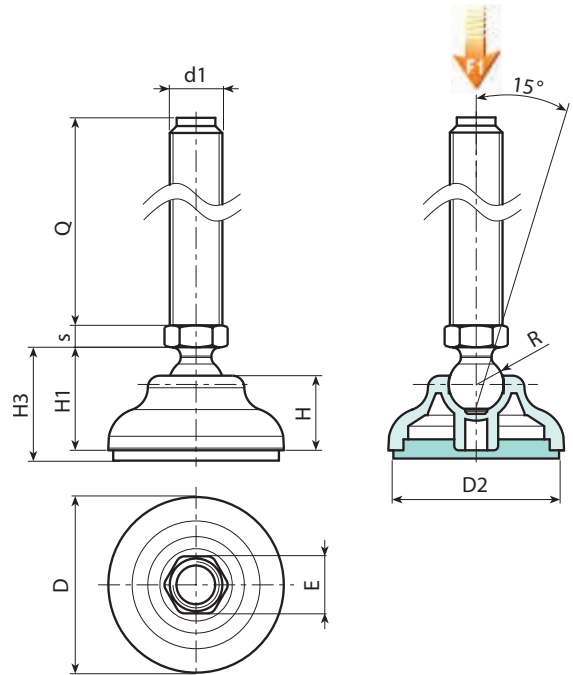
Stainless steel threaded and articulated stem (ball R.15) with hexagonal base (Aisi 303) (thread tolerance 6g).

Non-slip base:

Non-slip base in thermoplastic rubber SBS 75 Shore, black RAL 9011. Resistant to oils and greases.

Special requests:

- Upon request and for special quantities inserts can be supplied with customised lengths.
- Upon request and for special quantities the foot can be supplied in Orange (RAL 2004).



Version P908: Mounting foot with stem type A (with hexagonal base) and ball R15 - with SBS non-slip base

Code	Art.	D	D2	H	H1	H3	E	s	R	d1 _{6g}	Q	g	F1 (kN)
-	P90840.TM12X5001	40	34	17	23	26	16	6.5	15	M12	50	80	13
-	P90840.TM12X7001	40	34	17	23	26	16	6.5	15	M12	70	93	13
-	P90840.TM12X9001	40	34	17	23	26	16	6.5	15	M12	90	106	13
-	P90840.TM12X11001	40	34	17	23	26	16	6.5	15	M12	110	119	13
-	P90840.TM14X5001	40	34	17	23	26	16	6.5	15	M14	50	95	13
-	P90840.TM14X7001	40	34	17	23	26	16	6.5	15	M14	70	119	13
-	P90840.TM14X9001	40	34	17	23	26	16	6.5	15	M14	90	154	13
-	P90840.TM14X11001	40	34	17	23	26	16	6.5	15	M14	110	167	13
-	P90840.TM14X15001	40	34	17	23	26	16	6.5	15	M14	150	193	13
-	P90840.TM16X5001	40	34	17	23	26	16	6.5	15	M16	50	114	13
-	P90840.TM16X7001	40	34	17	23	26	16	6.5	15	M16	70	146	13
-	P90840.TM16X9001	40	34	17	23	26	16	6.5	15	M16	90	178	13
-	P90840.TM16X11001	40	34	17	23	26	16	6.5	15	M16	110	210	13
-	P90840.TM16X13001	40	34	17	23	26	16	6.5	15	M16	130	242	13
-	P90840.TM16X15001	40	34	17	23	26	16	6.5	15	M16	150	274	13
-	P90840.TM16X17001	40	34	17	23	26	16	6.5	15	M16	170	306	13
-	P90840.TM16X19001	40	34	17	23	26	16	6.5	15	M16	190	348	13
-	P90850.TM12X5001	50	43	18	24	27	16	6.5	15	M12	50	86	13
-	P90850.TM12X7001	50	43	18	24	27	16	6.5	15	M12	70	99	13
-	P90850.TM12X9001	50	43	18	24	27	16	6.5	15	M12	90	112	13
-	P90850.TM12X11001	50	43	18	24	27	16	6.5	15	M12	110	125	13
-	P90850.TM14X5001	50	43	18	24	27	16	6.5	15	M14	50	101	13
-	P90850.TM14X7001	50	43	18	24	27	16	6.5	15	M14	70	125	13
-	P90850.TM14X9001	50	43	18	24	27	16	6.5	15	M14	90	160	13
-	P90850.TM14X11001	50	43	18	24	27	16	6.5	15	M14	110	173	13
-	P90850.TM14X15001	50	43	18	24	27	16	6.5	15	M14	150	199	13
-	P90850.TM16X5001	50	43	18	24	27	16	6.5	15	M16	50	120	13

P908



SMALL MOUNTING FOOT WITH STEEL STEM TYPE A - BALL R15 AND NON-SLIP BASE

Code	Art.	D	D2	H	H1	H3	E	s	R	d1 _{6g}	Q	g	F1 (kN)
-	P90850.TM16X7001	50	43	18	24	27	16	6.5	15	M16	70	152	13
-	P90850.TM16X9001	50	43	18	24	27	16	6.5	15	M16	90	184	13
-	P90850.TM16X11001	50	43	18	24	27	16	6.5	15	M16	110	216	13
-	P90850.TM16X13001	50	43	18	24	27	16	6.5	15	M16	130	248	13
-	P90850.TM16X15001	50	43	18	24	27	16	6.5	15	M16	150	280	13
-	P90850.TM16X17001	50	43	18	24	27	16	6.5	15	M16	170	312	13
-	P90850.TM16X19001	50	43	18	24	27	16	6.5	15	M16	190	354	13
-	P90860.TM12X5001	60	53	20	26	29	16	6.5	15	M12	50	109	13
-	P90860.TM12X7001	60	53	20	26	29	16	6.5	15	M12	70	122	13
-	P90860.TM12X9001	60	53	20	26	29	16	6.5	15	M12	90	135	13
-	P90860.TM12X11001	60	53	20	26	29	16	6.5	15	M12	110	148	13
-	P90860.TM14X5001	60	53	20	26	29	16	6.5	15	M14	50	124	13
-	P90860.TM14X7001	60	53	20	26	29	16	6.5	15	M14	70	148	13
-	P90860.TM14X9001	60	53	20	26	29	16	6.5	15	M14	90	183	13
-	P90860.TM14X11001	60	53	20	26	29	16	6.5	15	M14	110	196	13
-	P90860.TM14X15001	60	53	20	26	29	16	6.5	15	M14	150	222	13
-	P90860.TM16X5001	60	53	20	26	29	16	6.5	15	M16	50	143	13
-	P90860.TM16X7001	60	53	20	26	29	16	6.5	15	M16	70	175	13
-	P90860.TM16X9001	60	53	20	26	29	16	6.5	15	M16	90	207	13
-	P90860.TM16X11001	60	53	20	26	29	16	6.5	15	M16	110	239	13
-	P90860.TM16X13001	60	53	20	26	29	16	6.5	15	M16	130	271	13
-	P90860.TM16X15001	60	53	20	26	29	16	6.5	15	M16	150	303	13
-	P90860.TM16X17001	60	53	20	26	29	16	6.5	15	M16	170	335	13
-	P90860.TM16X19001	60	53	20	26	29	16	6.5	15	M16	190	377	13

Attention: The expressed load limit F1 is lower than the break load by 30% and is intended as static.
Customised stud length available for a minimum of 100 pieces.



Version P908CIN: Foot with stem type A (with hexagonal base) - ball R15 - stainless steel - with SBS non-slip base

Code	Art.	D	H	H1	E	s	R	d1 _{6g}	Q	g	F1 (kN)
-	P90840.TM12X7001CIN	40	17	23	16	6.5	15	M12	70	93	13
-	P90840.TM12X9001CIN	40	17	23	16	6.5	15	M12	90	106	13
-	P90840.TM12X11001CIN	40	17	23	16	6.5	15	M12	110	119	13
-	P90840.TM14X7001CIN	40	17	23	16	6.5	15	M14	70	119	13
-	P90840.TM14X11001CIN	40	17	23	16	6.5	15	M14	110	167	13
-	P90840.TM14X13001CIN	40	17	23	16	6.5	15	M14	130	180	13
-	P90840.TM16X5001CIN	40	17	23	16	6.5	15	M16	50	114	13
-	P90840.TM16X7001CIN	40	17	23	16	6.5	15	M16	70	146	13
-	P90840.TM16X9001CIN	40	17	23	16	6.5	15	M16	90	178	13
-	P90840.TM16X11001CIN	40	17	23	16	6.5	15	M16	110	210	13
-	P90840.TM16X13001CIN	40	17	23	16	6.5	15	M16	130	242	13
-	P90840.TM16X15001CIN	40	17	23	16	6.5	15	M16	150	274	13
-	P90840.TM16X17001CIN	40	17	23	16	6.5	15	M16	170	306	13
-	P90840.TM16X19001CIN	40	17	23	16	6.5	15	M16	190	348	13
-	P90850.TM12X7001CIN	50	18	24	16	6.5	15	M12	70	99	13
-	P90850.TM12X9001CIN	50	18	24	16	6.5	15	M12	90	12	13
-	P90850.TM12X11001CIN	50	18	24	16	6.5	15	M12	110	125	13
-	P90850.TM14X7001CIN	50	18	24	16	6.5	15	M14	70	125	13
-	P90850.TM14X11001CIN	50	18	24	16	6.5	15	M14	110	173	13
-	P90850.TM14X13001CIN	50	18	24	16	6.5	15	M14	130	186	13
-	P90850.TM16X5001CIN	50	18	24	16	6.5	15	M16	50	120	13
-	P90850.TM16X7001CIN	50	18	24	16	6.5	15	M16	70	152	13
-	P90850.TM16X9001CIN	50	18	24	16	6.5	15	M16	90	184	13
-	P90850.TM16X11001CIN	50	18	24	16	6.5	15	M16	110	216	13
-	P90850.TM16X13001CIN	50	18	24	16	6.5	15	M16	130	248	13
-	P90850.TM16X15001CIN	50	18	24	16	6.5	15	M16	150	280	13
-	P90850.TM16X17001CIN	50	18	24	16	6.5	15	M16	170	312	13
-	P90850.TM16X19001CIN	50	18	24	16	6.5	15	M16	190	354	13
-	P90860.TM12X7001CIN	60	20	26	16	6.5	15	M12	70	122	13
-	P90860.TM12X9001CIN	60	20	26	16	6.5	15	M12	90	135	13
-	P90860.TM12X11001CIN	60	20	26	16	6.5	15	M12	110	148	13
-	P90860.TM14X7001CIN	60	20	26	16	6.5	15	M14	70	148	13
-	P90860.TM14X11001CIN	60	20	26	16	6.5	15	M14	110	196	13
-	P90860.TM14X13001CIN	60	20	26	16	6.5	15	M14	130	209	13
-	P90860.TM16X5001CIN	60	20	26	16	6.5	15	M16	50	143	13
-	P90860.TM16X7001CIN	60	20	26	16	6.5	15	M16	70	175	13
-	P90860.TM16X9001CIN	60	20	26	16	6.5	15	M16	90	207	13
-	P90860.TM16X11001CIN	60	20	26	16	6.5	15	M16	110	239	13
-	P90860.TM16X13001CIN	60	20	26	16	6.5	15	M16	130	271	13
-	P90860.TM16X15001CIN	60	20	26	16	6.5	15	M16	150	303	13
-	P90860.TM16X17001CIN	60	20	26	16	6.5	15	M16	170	335	13